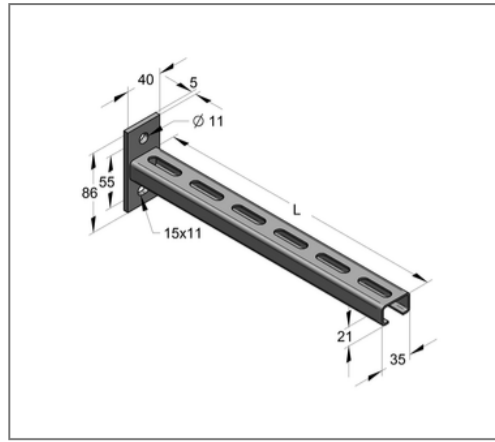
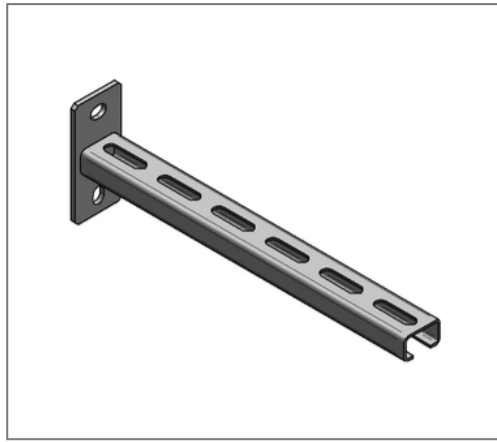


■ Console C-profile 35/21 L= 262,5 mm Plate vertical galv.



Commercial details

Part no.	18020263
EAN/GTIN	4250928437471
Packing unit	25 pcs
Quantity unit	pcs
Weight	0,429 kg/pc
Product group	02-083
Price unit	1

QR code



Specification

Application area Console for the production of cantilever structures for the support of suspended and standing pipe loads.

Technical data

Material	Steel
Surface	galvanized
Corrosion category	C2 very high
Surrounding area	Indoor area

Product details

Width plate	40 mm
Length plate	86 mm
Hole distance	55 mm
Plate thickness	5 mm
Width profile	35 mm
Profile height	21 mm
Length console L	262,5 mm
Elongated hole plate	11x15 mm
Load F1	0,72 kN
Load F2	0,36 kN
Load q0	2,72 kN/m
Profile thickness	2 mm