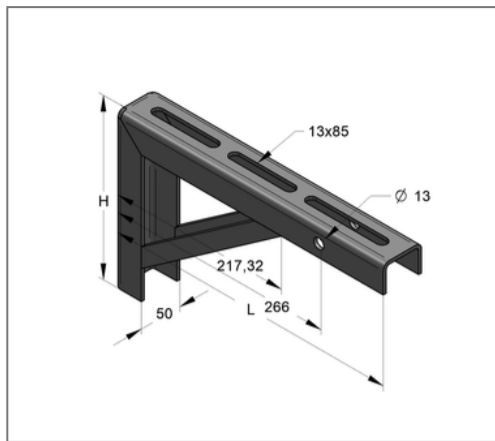


■ Universal console with brace 200 x 350 x 4 mm



Commercial details

Part no.	081423501
EAN/GTIN	4250928419927
Packing unit	10 pcs
Quantity unit	pcs
Weight	2,03 kg/pc
Product group	02-083
Price unit	1

QR code



Specification

Application area	Console solid from U-profiles.
Specification	with brace

Technical data

Material	Steel
Material type	S235
Surface	galvanized
Corrosion category	C2 very high
Surrounding area	Indoor area

Product details

Height H	200 mm
Length L	350 mm
Thickness S	4 mm
Load F1	6,2 kN
Load F2	4,9 kN