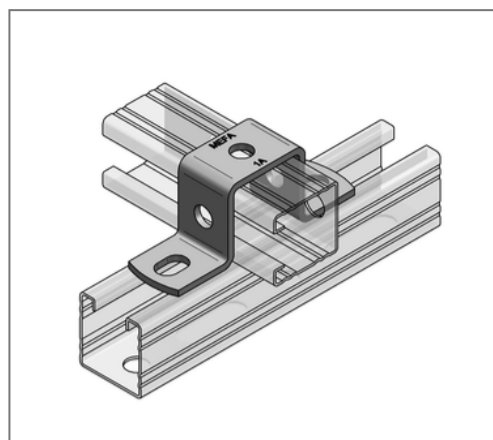
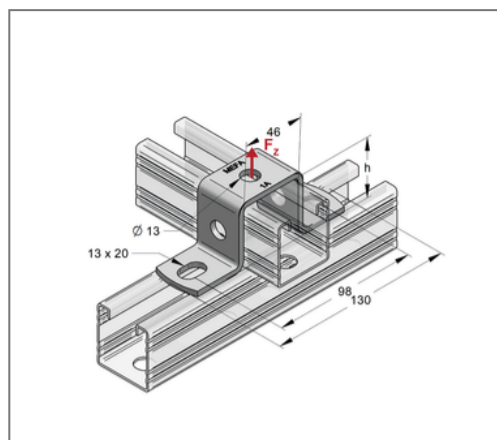
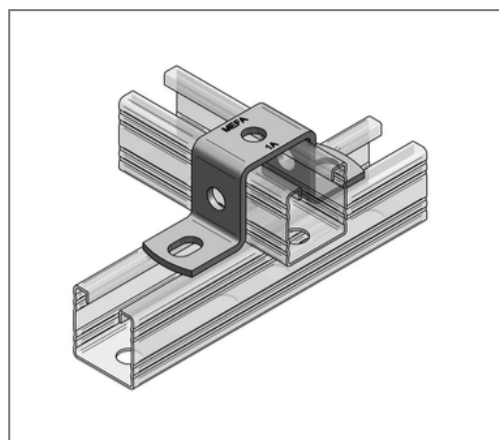


■ Head profile Double C-profile 45/120 Height 120 mm Elongated hole 17,5x13 mm



Commercial details

Part no.	0816274
EAN/GTIN	4250928420268
Packing unit	25 pcs
Quantity unit	pcs
Weight	0,387 kg/pc
Product group	02-081
Price unit	1

QR code



Specification

Application Connecting component for fixing two crossing area profile rails.

Technical data

Material	Steel
Surface	galvanized
Corrosion category	C2 very high
Surrounding area	Indoor area

Product details

Load F_z	3,5 kN
Height h	120 mm
Length	130 mm
Length inside	45 mm
Width material	35 mm
Material thickness	4 mm
Elongated hole	13x17,5 mm
Profile type	45/120
Hole distance	98 mm
Terminal hole	13 mm