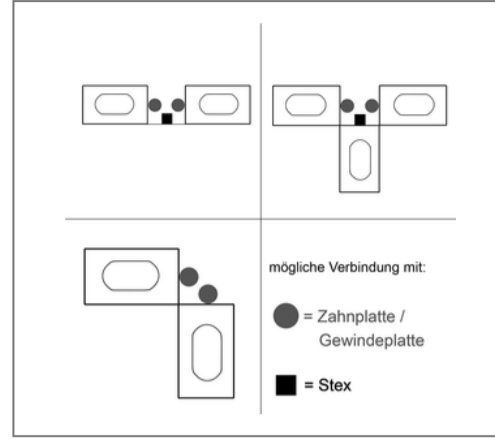
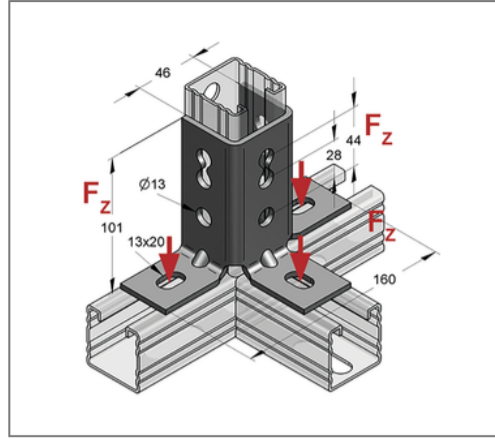
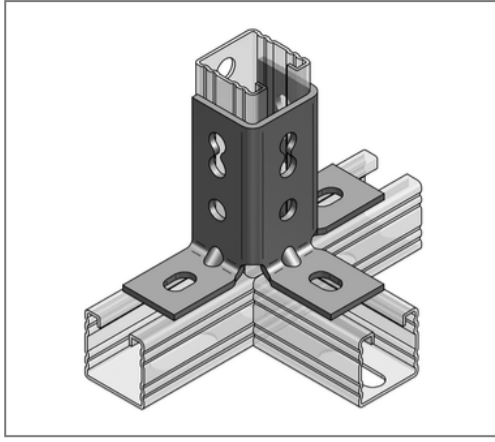


■ Angle connector C-profile 45 90°+180° Number of wings 3



Commercial details

| | |
|---------------|---------------|
| Part no. | 08123000 |
| EAN/GTIN | 4250928419668 |
| Packing unit | 15 pcs |
| Quantity unit | pcs |
| Weight | 0,548 kg/pc |
| Product group | 02-081 |
| Price unit | 1 |

QR code



Specification

| | |
|------------------|-------------------------------|
| Application area | For connecting profile rails. |
| Profile | C-profile |
| Profile type | 45 |
| Number of wings | 3 |

Technical data

| | |
|--------------------|------------------|
| Material | Steel |
| Material type | S235 |
| Surface | galvanized |
| Corrosion category | C2 very high |
| Surrounding area | val.Innenbereich |

Product details

| | |
|----------------------------|----------|
| Load F_z without profile | 2,5 kN |
| Load F_z with profile | 4 kN |
| Material thickness | 4 mm |
| mounting angle 1 | 90 ° |
| mounting angle 2 | 180 ° |
| Elongated hole | 20 mmx13 |
| Length wing | 56,5 mm |
| Width wing | 45 mm |
| Hole-Ø | 13 mm |