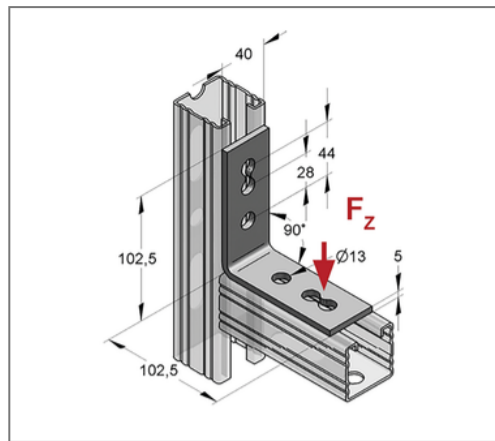
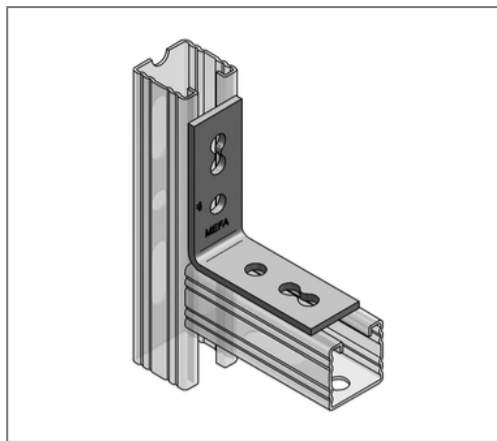


■ Angle 4-hole C-profile 45 90 ° Wing 102,5 x 102,5 mm



Commercial details

Part no.	08140500
EAN/GTIN	4250928419774
Packing unit	50 pcs
Quantity unit	pcs
Weight	0,283 kg/pc
Product group	02-081
Price unit	1

QR code



Specification

Application area	Angle components for connecting profile rails.
Profile	C-profile

Technical data

Material	Steel
Surface	galvanized
Corrosion category	C2 very high
Surrounding area	Indoor area

Product details

Hole-Ø	13 mm
Profile type	45
Material thickness	5 mm
Width material	40 mm
Length wing 1	102,5 mm
Length wing 2	102,5 mm
Load F_z without profile	1 kN
Load F_z with profile	2,5 kN
Angle	90 °