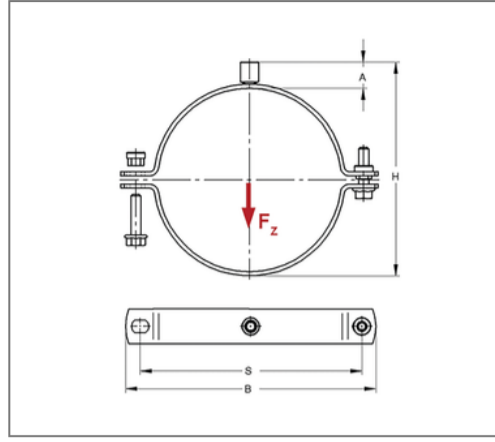
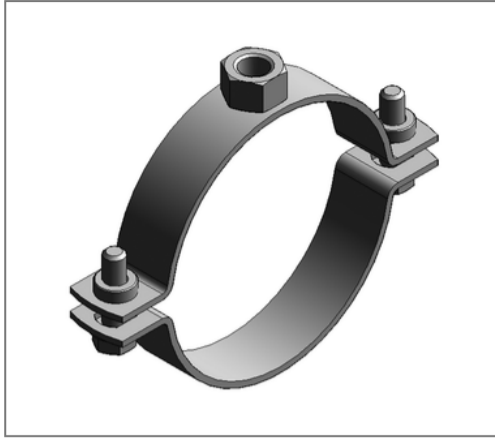


## ■ Pipe clamp Maxima PSM 30x3 125 - 129 mm M16 unlined



### Commercial details

Part no.	008164501
EAN/GTIN	4250928455154
Packing unit	1 pcs
Quantity unit	pcs
Weight	0,456 kg/pc
Product group	01-008
Price unit	100

### QR code



### Certification



### Specification

Application area	Pipe clamp for fastening pipes.
Specification	two-part
Connection	M16
Closure	Pendulum stick nuts

### Product details

Center distance S	163 mm
Connection height A	23 mm
Width B	189 mm
Height H	151 - 155 mm
Material dimension	30x3 mm
Load $F_z$	4 kN
Clamping range	125 - 129 mm
Closure screw	M8

### Technical data

Material	Steel
Material type	S235
Surface	galvanized
Corrosion category	C2 very high
Surrounding area	Indoor area
Sound insulation lining	unlined

### Remark

Delivery time	5 working days ex works
Notice	With thread M16 or sleeve 1/2 Inch exchange and return are excluded. Suitable connection adaptors see chapter 1.