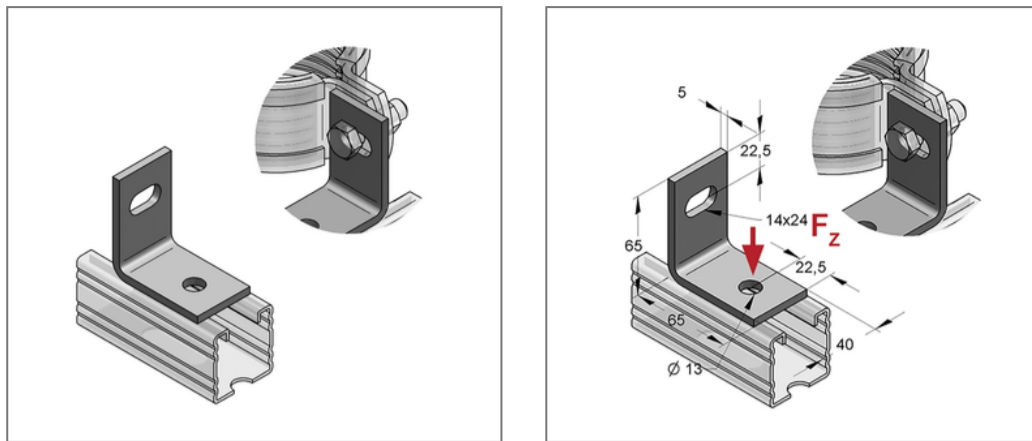


## ■ Angle 2-hole horizontal C-profile 45 90 ° Wing 65 x 65 mm



### Commercial details

Part no.	08147300
EAN/GTIN	4250928420121
Packing unit	50 pcs
Quantity unit	pcs
Weight	0,178 kg/pc
Product group	02-081
Price unit	1

### QR code



### Specification

Application area	Angle components for connecting profile rails.
Specification	elongated hole horizontal
Profile	C-profile

### Technical data

Material	Steel
Surface	galvanized
Corrosion category	C2 very high
Surrounding area	Indoor area

### Product details

Hole-Ø	13 mm
Elongated hole	14x24 mm
Profile type	45
Material thickness	5 mm
Width material	40 mm
Length wing 1	65 mm
Length wing 2	65 mm
Load $F_z$ without profile	1 kN
Load $F_z$ with profile	2,5 kN
Angle	90 °