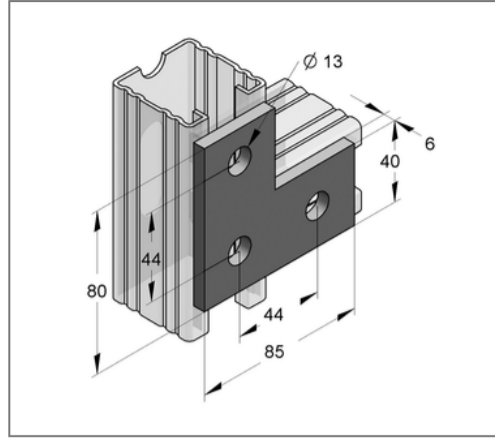
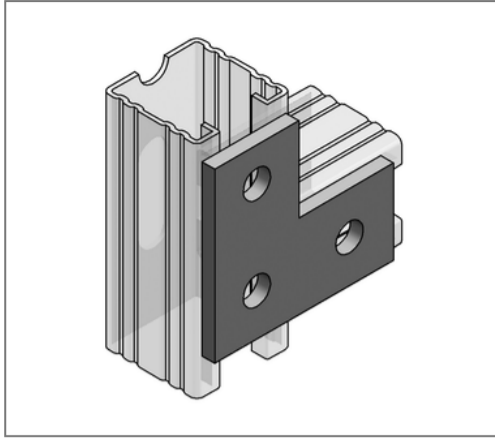


## ■ Flat connector L-shape for C-profile 45 Hole 13 mm



### Commercial details

Part no.	0814307
EAN/GTIN	4250928419941
Packing unit	25 pcs
Quantity unit	pcs
Weight	0,221 kg/pc
Product group	02-081
Price unit	1

### QR code



### Specification

Application area	For butt joints of profiles.
Profile type	45

### Technical data

Material	Steel
Material type	S235
Surface	galvanized
Corrosion category	C2 very high
Surrounding area	Indoor area

### Product details

Width	80 mm
Length	85 mm
Hole-Ø	13 mm
Thickness	6 mm