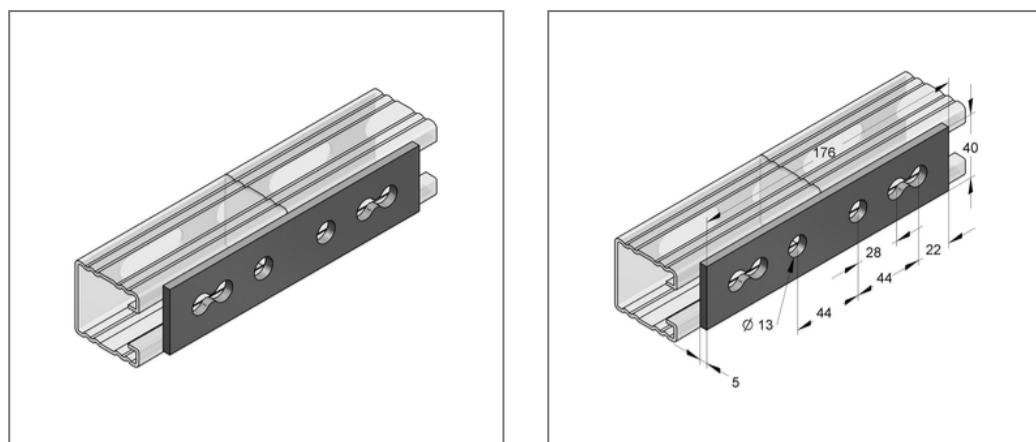


■ Flat connector 4-hole for C-profile 45 Hole 13 mm



Commercial details

Part no.	0814349
EAN/GTIN	4250928419972
Packing unit	25 pcs
Quantity unit	pcs
Weight	0,250 kg/pc
Product group	02-081
Price unit	1

QR code



Specification

Application area	For butt joints of profiles.
Profile type	45

Technical data

Material	Steel
Material type	S235
Surface	galvanized
Corrosion category	C2 very high
Surrounding area	Indoor area

Product details

Width	40 mm
Length	176 mm
Hole-Ø	13 mm
Thickness	5 mm