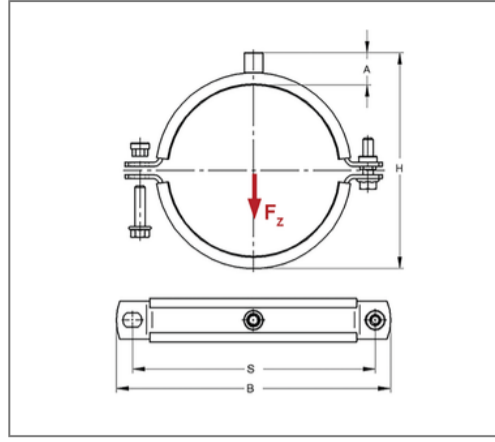
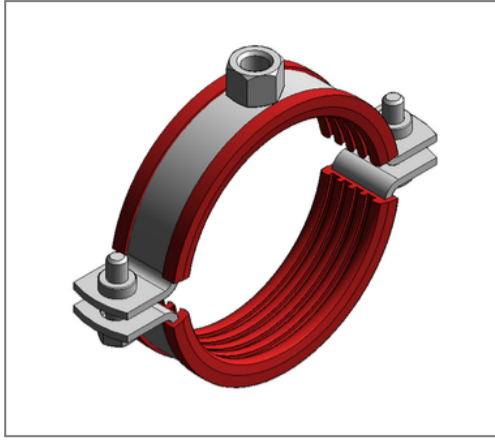


■ Pipe clamp Maxima PSM 30x3 113 - 117 mm M16 Silicone



Commercial details

Part no.	008465901
EAN/GTIN	4250928454997
Packing unit	1 pcs
Quantity unit	pcs
Weight	0,537 kg/pc
Product group	01-008
Price unit	100

QR code



Certification



Specification

Application area	Pipe clamp for fastening pipes.
Specification	two-part
Connection	M16
Closure	Pendulum stick nuts

Technical data

Material	Steel
Material type	S235
Surface	galvanized
Corrosion category	C2 very high
Surrounding area	Indoor area
Insulation thickness	6 mm
Temperature resistance	-50 °C - 250 °C
Sound insulation lining	Silicone

Product details

Center distance S	163 mm
Connection height A	29 mm
Width B	189 mm
Colour sound insulation lining	red
Height H	151 - 155 mm
Material dimension	30x3 mm
Load F_z	1,7 kN
Clamping range	113 - 117 mm
Outside pipe diameter inch	val.RohraußendurchmesserZoll. 4 inch
Closure screw	M8

Remark

Delivery time	5 working days ex works
Notice	With thread M16 or sleeve 1/2 Inch exchange and return are excluded. Suitable connection adaptors see chapter 1.