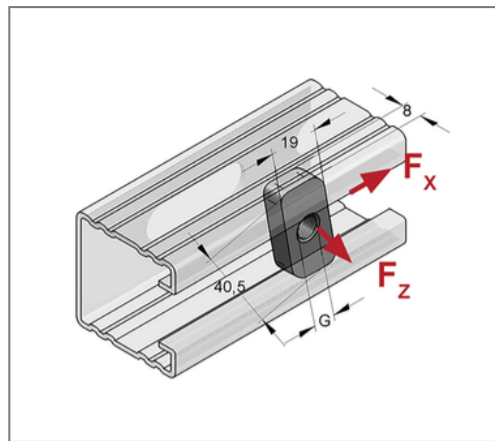
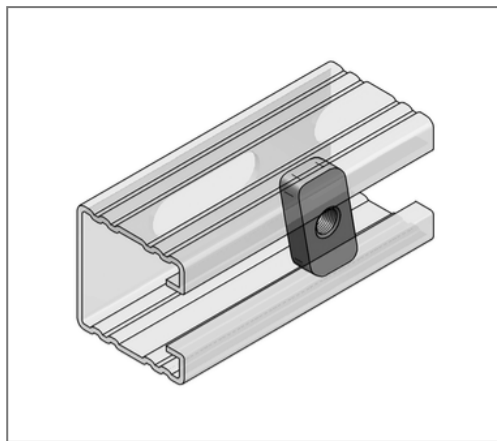


## ■ Threaded plate M12 40x22 galv.



### Commercial details

Part no.	0750123
EAN/GTIN	4250928417183
Packing unit	100 pcs
Quantity unit	pcs
Weight	0,0391 kg/pc
Product group	02-075
Price unit	100

### QR code



### Technical data

Material	Steel
Material type	S235
Surface	galvanized
Corrosion category	C2 very high
Surrounding area	Indoor area

### Product details

Loading capacity	see loads in the catalogue
Length L	40,5 mm
Width B	19 mm
Material thickness S	8 mm
Thread G	M12
Profile type	45
Shape	pivoted
Plate type	40x22