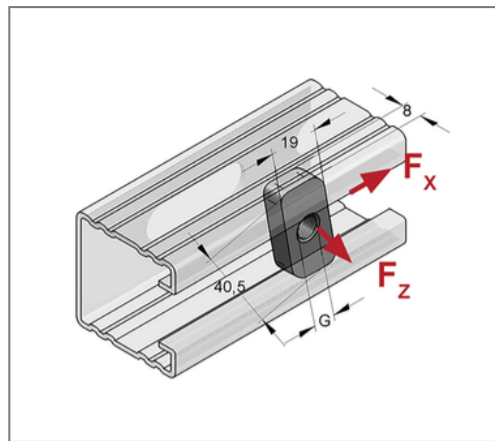
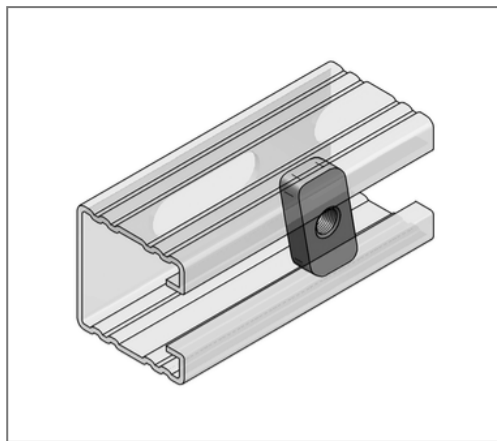


■ Threaded plate M10 40x22 galv.



Commercial details

Part no.	0750115
EAN/GTIN	4250928417176
Packing unit	100 pcs
Quantity unit	pcs
Weight	0,0407 kg/pc
Product group	02-075
Price unit	100

QR code



Technical data

Material	Steel
Material type	S235
Surface	galvanized
Corrosion category	C2 very high
Surrounding area	Indoor area

Product details

Loading capacity	see loads in the catalogue
Length L	40,5 mm
Width B	19 mm
Material thickness S	8 mm
Thread G	M10
Profile type	45
Shape	pivoted
Plate type	40x22