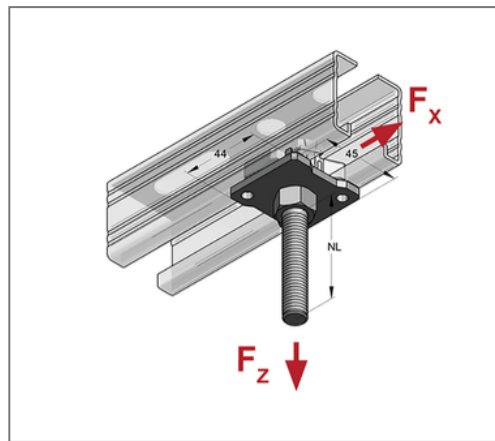
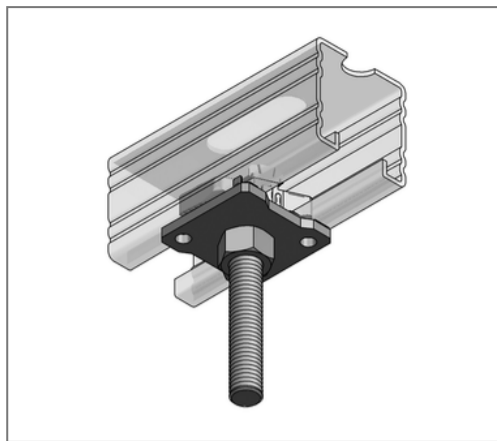


■ Stex 45 Threaded bolt GB M10 x 110 mm



Commercial details

Part no.	1282110
EAN/GTIN	4250928424815
Packing unit	20 pcs
Quantity unit	pcs
Weight	0,178 kg/pc
Product group	02-128
Price unit	1

QR code



Specification

Application area	Quick-fixing system for direct pipe clamp attachment to Stex profile rails with permanently integrated threaded bolt and nut.
------------------	---

Technical data

Material	Steel
Material type	S235
Surface	galvanized
Corrosion category	C2 very high
Surrounding area	Indoor area
Strength class	4.6

Product details

Thread	M10
Length thread	110 mm
Usable length	70 mm