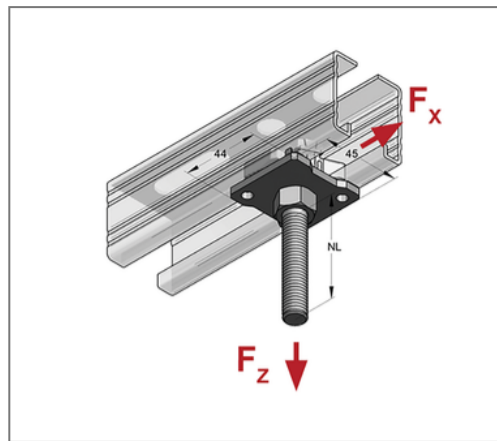
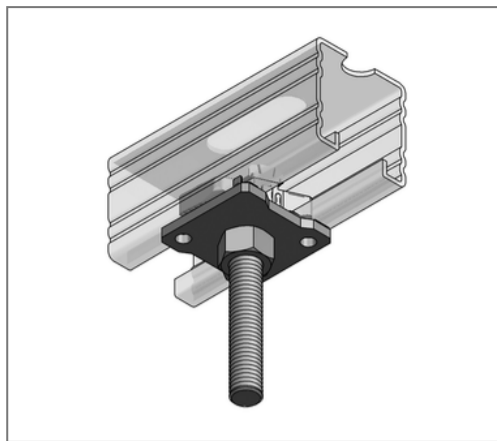


## ■ Stex 45 Threaded bolt GB M10 x 70 mm



### Commercial details

Part no.	1282070
EAN/GTIN	4250928424792
Packing unit	20 pcs
Quantity unit	pcs
Weight	0,157 kg/pc
Product group	02-128
Price unit	1

### QR code



### Specification

Application Quick-fixing system for direct pipe clamp area attachment to Stex profile rails with permanently integrated threaded bolt and nut.

### Technical data

Material	Steel
Material type	S235
Surface	galvanized
Corrosion category	C2 very high
Surrounding area	Indoor area
Strength class	4.6

### Product details

Thread	M10
Length thread	70 mm
Usable length	30 mm