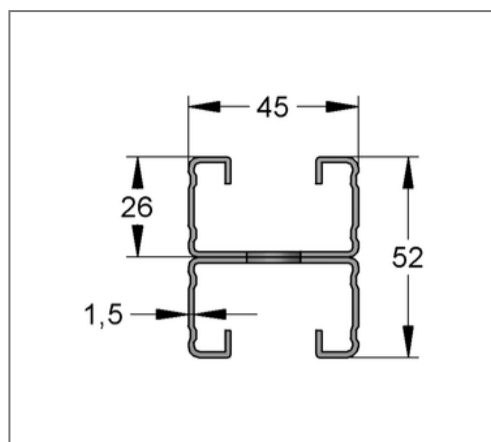
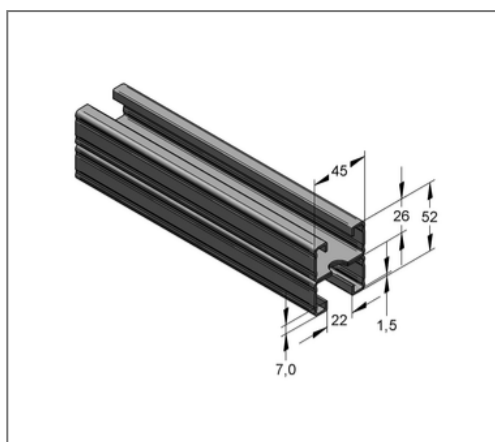


■ Profile rail C-profile double 45 / 52 / 1,5 mm L= 6 m pre-galv.



Commercial details

Part no.	08215262
EAN/GTIN	4250928420794
Packing unit	30 m
Bundle	240 m
Quantity unit	m
Weight	2,69 kg/m
Product group	02-082
Price unit	1

QR code



Certification



Specification

Application area	Medium weight mounting rail with quick connection option.
Specification	Toothed C-profile rail. Double rails are perforated and welded.
Type of attachment	form-locking connection

Product details

Width	45 mm
Height	52 mm
Thickness	1,5 mm
Length	6 m
Hole-Ø	14,00 mm
Elongated hole	14x45 mm
Area (least cross section of the profile rail)	2,99 cm ²
Axial angular impulse I_y	8,19 cm ⁴
Axial angular impulse I_z	10,30 cm ⁴
Grid dimension	105,0 mm
Rail slot width	22 mm
Centroid distance e_o	2,60 cm

Technical data

Material	Steel
Material type	S250
Surface	pre-galvanized
TSP	no
Corrosion category	C2 very high
Surrounding area	Indoor area

Remark

Notice	Full bundles, only
--------	--------------------

Product details

Centroid distance e_u	2,60 cm
Centroid distance e_z	2,25 cm
Elastic limit	250 N/mm ²
Radius of inertia i_y	1,66 cm
Radius of inertia i_z	1,86 cm
Section modulus W_Y	3,15 cm ³
Section modulus W_Z	4,58 cm ³