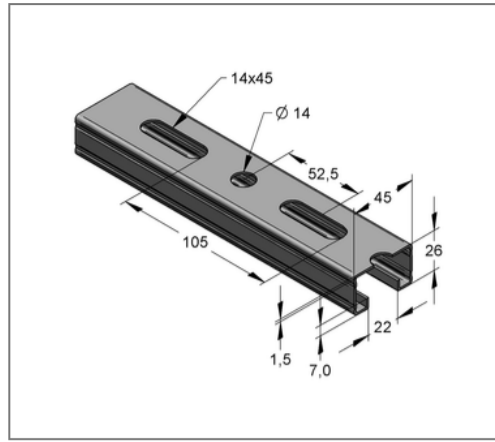
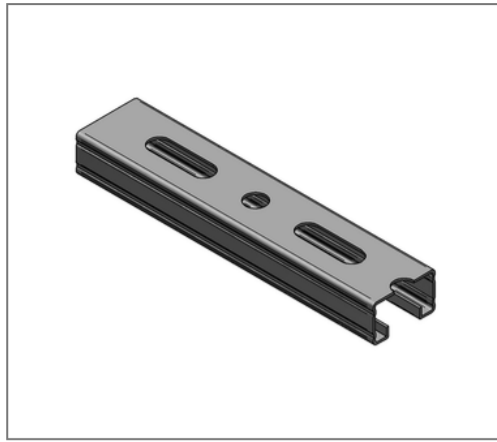


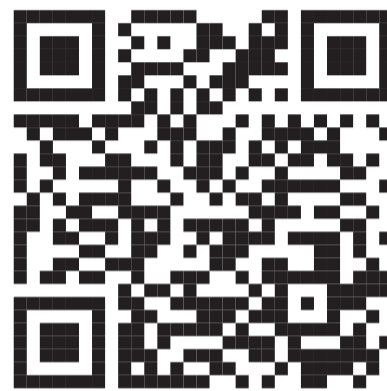
■ Profile rail C-profile 45 / 26 / 1,5 mm L= 2 m pre-galv.



Commercial details

Part no.	08202622
EAN/GTIN	4250928420732
Packing unit	10 m
Bundle	200 m
Quantity unit	m
Weight	1,34 kg/m
Product group	02-082
Price unit	1

QR code



Certification



Specification

Application area	Medium weight mounting rail with quick connection option.
Specification	C-profile rail, perforated and toothed
Type of attachment	form-locking connections and shear hole haunch connections

Technical data

Material	Steel
Material type	S250
Surface	pre-galvanized

Product details

Width	45 mm
Height	26 mm
Thickness	1.5 mm
Length	2 m
Hole-Ø	14 mm
Elongated hole	14x45 mm
Area (least cross section of the profile rail)	1.49 cm ²
Axial angular impulse Iy	1.42 cm ⁴
Axial angular impulse Iz	5.15 cm ⁴
Grid dimension	105 mm
Rail slot width	22 mm
Centroid distance eo	1.34 cm
Centroid distance eu	1.26 cm
Centroid distance ez	2.25 cm
Elastic limit	250 N/mm ²

Remark

Notice	Full bundles, only
Radius of inertia i_z	1.86 cm
Section modulus W_y	1.06 cm ³
Section modulus W_z	2.29 cm ³