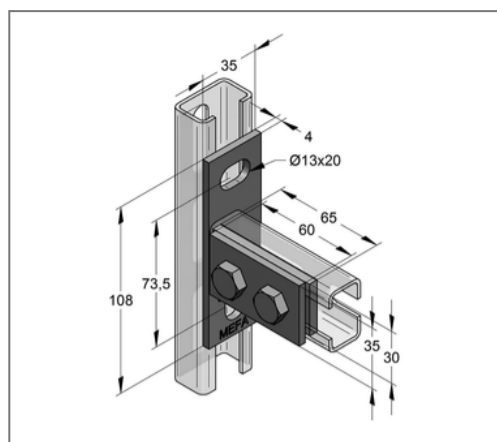
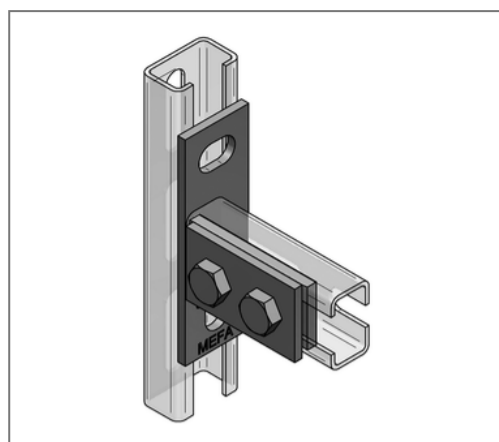


## ■ Connector C-profile 35 vertical for C-profile 35, Stex 35 galv.



### Commercial details

Part no.	081655802
EAN/GTIN	4250928457219
Packing unit	20 pcs
Quantity unit	pcs
Weight	0,283 kg/pc
Product group	02-081
Price unit	1

### QR code



### Specification

Application area	Profile holder to connect two profile rails.
Profile type	35, Stex 35
Profile	C-profile
Type of attachment	not applicable as ceiling support or vertical use (hanging), no use as console connection
Scope of delivery	2-hole threaded plate and hexagon screw

### Technical data

Material	Steel
Material type	S235
Surface	galvanized
Corrosion category	C2 very high
Surrounding area	Indoor area

### Product details

Elongated hole	13x20 mm
Length plate	108 mm
Width plate	35 mm
Plate thickness	4 mm
Alignment of plate	vertical
Hole distance	73,5 mm
max. profile height	42 mm