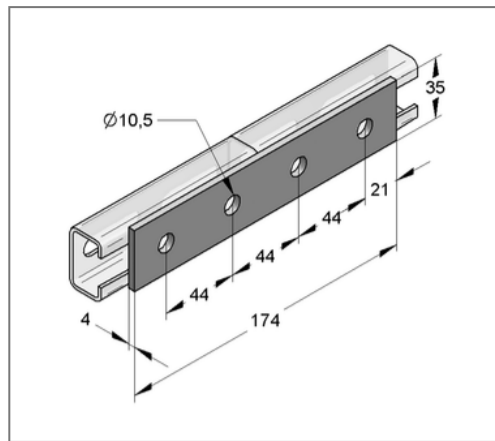
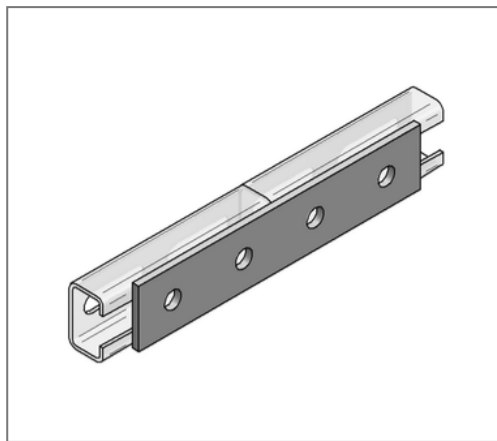


■ Flat connector 4-hole for C-profile 35, Stex 35 Hole 10,5 mm



Commercial details

Part no.	0814465
EAN/GTIN	4250928420015
Packing unit	25 pcs
Quantity unit	pcs
Weight	0,184 kg/pc
Product group	02-081
Price unit	1

QR code



Specification

Application area	For butt joints of profiles.
Profile type	35, Stex 35

Technical data

Material	Steel
Material type	S235
Surface	galvanized
Corrosion category	C2 very high
Surrounding area	Indoor area

Product details

Width	35 mm
Length	174 mm
Hole- \varnothing	10,5 mm
Thickness	4 mm