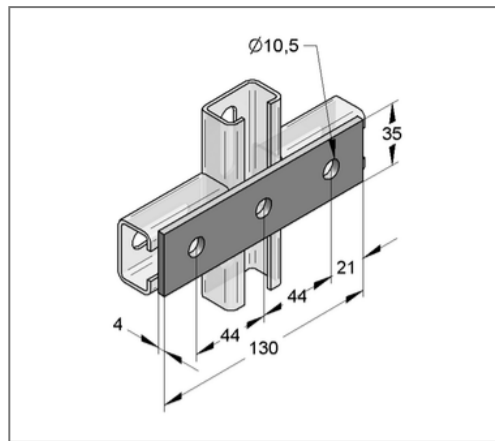
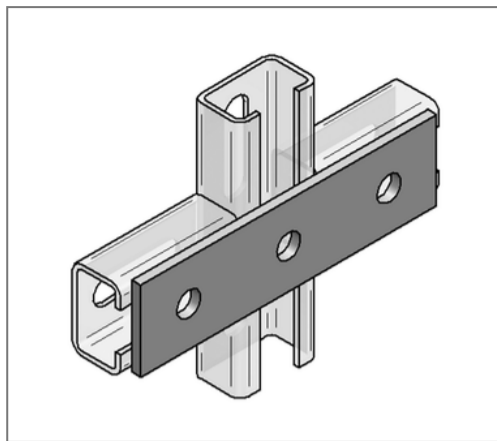


## ■ Flat connector 3-hole for C-profile 35, Stex 35 Hole 10,5 mm



### Commercial details

Part no.	0814457
EAN/GTIN	4250928420008
Packing unit	25 pcs
Quantity unit	pcs
Weight	0,137 kg/pc
Product group	02-081
Price unit	1

### QR code



### Specification

Application area	For butt joints of profiles.
Profile type	35, Stex 35

### Technical data

Material	Steel
Material type	S235
Surface	galvanized
Corrosion category	C2 very high
Surrounding area	Indoor area

### Product details

Width	35 mm
Length	130 mm
Hole-Ø	10,5 mm
Thickness	4 mm