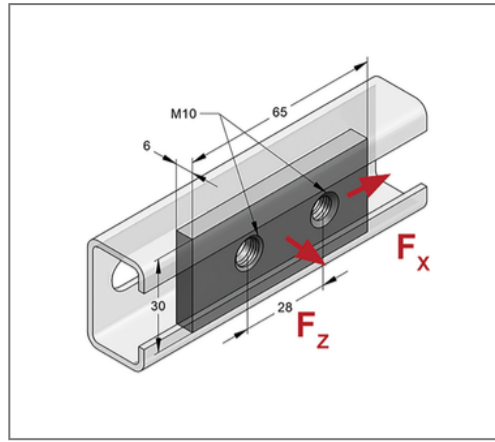
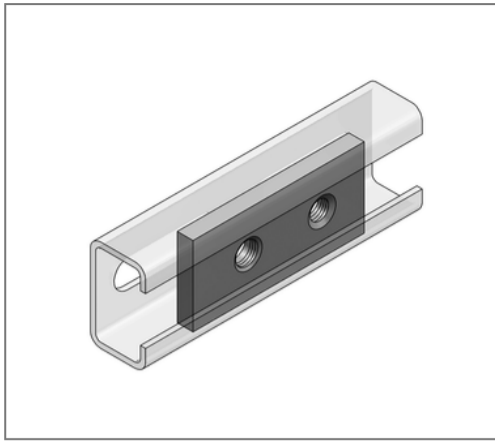


## ■ 2-hole threaded plate M10 square 65x30 mm galv.



### Commercial details

Part no.	0816092
EAN/GTIN	4250928420152
Packing unit	50 pcs
Quantity unit	pcs
Weight	0,0880 kg/pc
Product group	02-081
Price unit	1

### QR code



### Technical data

Material	Steel
Material type	S235
Surface	galvanized

### Product details

Loading capacity	see loads in the catalogue
Length	65 mm
Width	30 mm
Material thickness	6 mm
Thread	M10
Profile type	35, Stex 35
Shape	square
Tightening torque	25 Nm
load $F_x$	1,1 kN
load $F_z$	5 kN