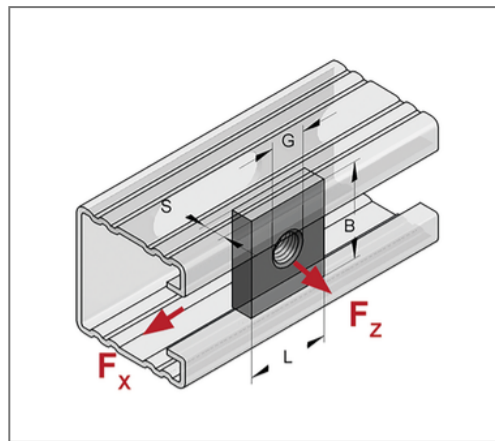
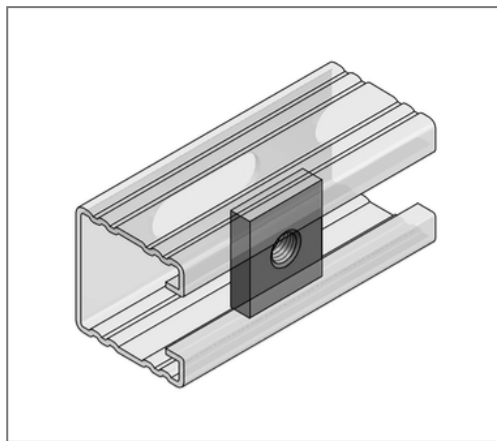


■ Threaded plate M10 square 35x30 mm galv.



Commercial details

Part no.	081612001
EAN/GTIN	420928453617
Packing unit	50 pcs
Quantity unit	pcs
Weight	0,0467 kg/pc
Product group	02-081
Price unit	100

QR code



Technical data

Material	Steel
Material type	S235
Surface	galvanized
Corrosion category	C2 very high
Surrounding area	Indoor area

Product details

Loading capacity	see loads in the catalogue
Length L	35 mm
Width B	30 mm
Material thickness S	6 mm
Thread G	M10
Profile type	35, 45
Shape	square