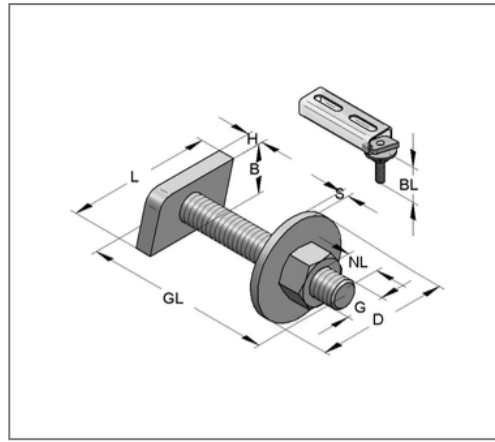
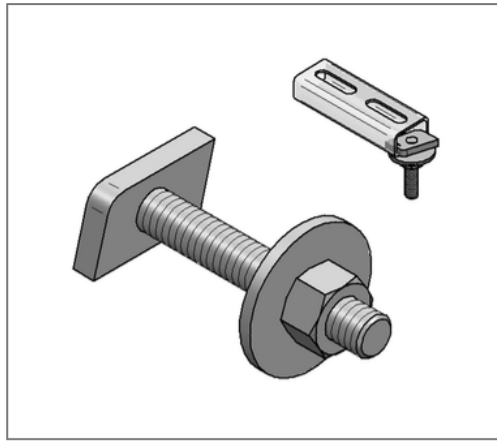


■ Hammer head C-profile 35 M12 x 50 mm



Commercial details

| | |
|---------------|---------------|
| Part no. | 0698050 |
| EAN/GTIN | 4250928415851 |
| Packing unit | 50 pcs |
| Quantity unit | pcs |
| Weight | 0,0963 kg/pc |
| Product group | 02-069 |
| Price unit | 100 |

QR code



Specification

| | |
|--------------------|--|
| Application area | Direct attachment of pipe clamps to profile rails. |
| Profile type | 35, Stex 35 |
| Type of attachment | glide fast connection |

Technical data

| | |
|--------------------|--------------|
| Material | Steel |
| Material type | S235 |
| Surface | galvanized |
| Corrosion category | C2 very high |
| Surrounding area | Indoor area |

Product details

| | |
|-------------------------|-------|
| Thread G | M12 |
| Length thread GL | 50 mm |
| Usable length NL | 29 mm |
| Overall length BL | 42 mm |
| Length hammer head L | 35 mm |
| Width hammer head B | 18 mm |
| Thickness hammer head H | 6 mm |
| Diameter washer D | 37 mm |
| Thickness washer S | 3 mm |