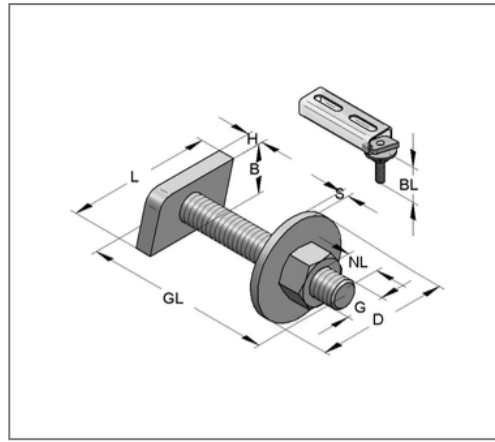
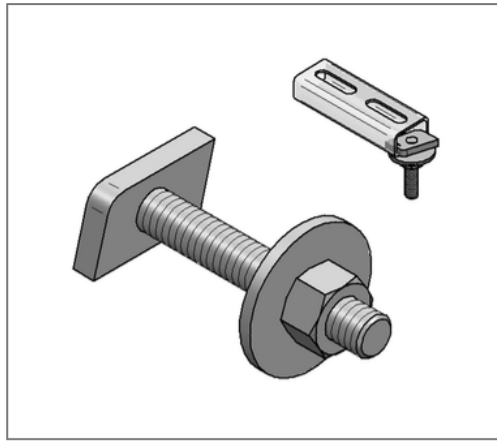


■ Hammer head C-profile 35 M10 x 30 mm



Commercial details

Part no.	0697540
EAN/GTIN	4250928415806
Packing unit	50 pcs
Quantity unit	pcs
Weight	0,0692 kg/pc
Product group	02-069
Price unit	100

QR code



Specification

Application area	Direct attachment of pipe clamps to profile rails.
Profile type	35, Stex 35
Type of attachment	glide fast connection

Technical data

Material	Steel
Material type	S235
Surface	galvanized
Corrosion category	C2 very high
Surrounding area	Indoor area

Product details

Thread G	M10
Length thread GL	30 mm
Usable length NL	10,5 mm
Overall length BL	22 mm
Length hammer head L	35 mm
Width hammer head B	18 mm
Thickness hammer head H	6 mm
Diameter washer D	35 mm
Thickness washer S	3 mm