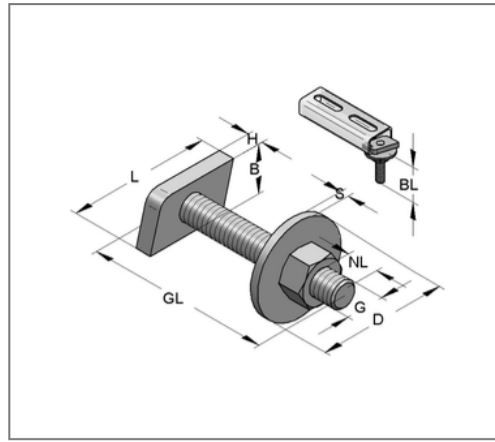
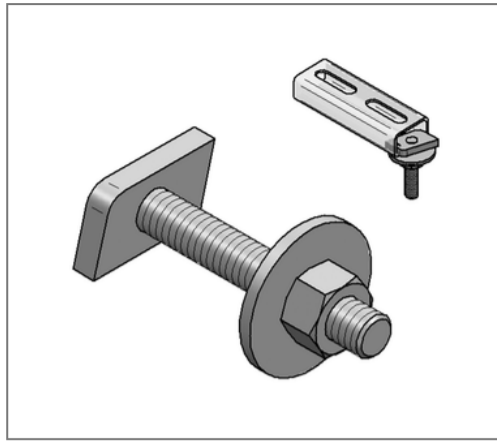


## ■ Hammer head C-profile 35 M8 x 70 mm



### Commercial details

Part no.	0697075
EAN/GTIN	4250928415790
Packing unit	50 pcs
Quantity unit	pcs
Weight	0,0729 kg/pc
Product group	02-069
Price unit	100

### QR code



### Specification

Application area	Direct attachment of pipe clamps to profile rails.
Profile type	35, Stex 35
Type of attachment	glide fast connection

### Technical data

Material	Steel
Material type	S235
Surface	galvanized
Corrosion category	C2 very high
Surrounding area	Indoor area

### Product details

Thread G	M8
Length thread GL	70 mm
Usable length NL	52,5 mm
Overall length BL	62 mm
Length hammer head L	35 mm
Width hammer head B	18 mm
Thickness hammer head H	6 mm
Diameter washer D	35 mm
Thickness washer S	3 mm