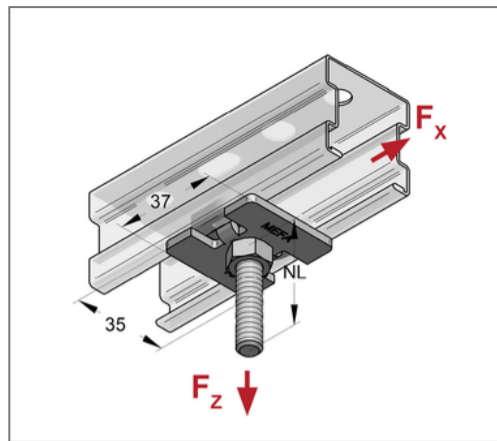
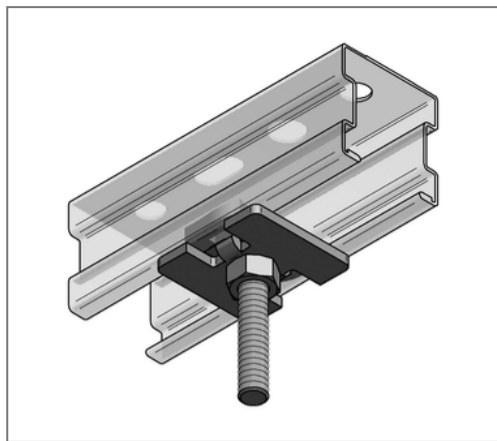


## ■ Stex 35 Threaded bolt GB M8 x 110 mm



### Commercial details

Part no.	127811001
EAN/GTIN	4250928424631
Packing unit	25 pcs
Quantity unit	pcs
Weight	0,0797 kg/pc
Product group	02-127
Price unit	1

### QR code



### Specification

Application Quick-fixing system for direct pipe clamp area attachment to Stex profile rails with permanently integrated threaded bolt and nut.

### Technical data

Material	Steel
Material type	S235
Surface	galvanized
Corrosion category	C2 very high
Surrounding area	Indoor area

### Product details

Thread	M8
Length thread	110 mm
Usable length	96 mm