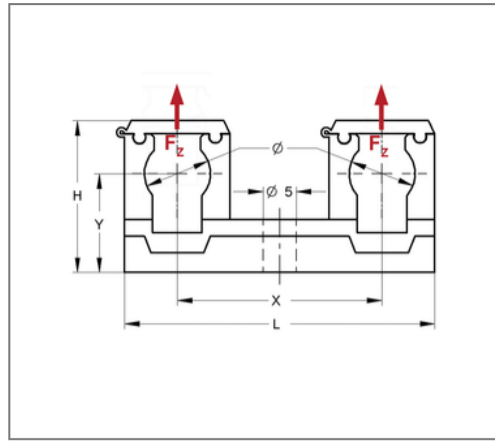
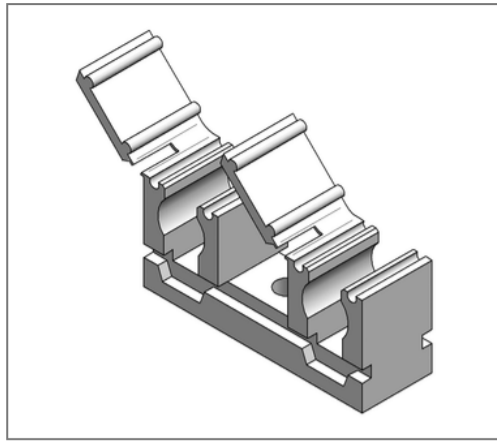


■ Pipe clip Clipmaster double 15 mm, Polyamide 6



Commercial details

Part no.	0410152
EAN/GTIN	4250928409140
Packing unit	50 pcs
Quantity unit	pcs
Weight	0,0113 kg/pc
Product group	01-041
Price unit	100

QR code



Specification

Application area	weathering- and ageing proof clip for holding a pipeline.
Specification	Double clip
Type of attachment	with wood screws

Technical data

Material	Kunststoff
Material type	Polyamid 6
min. temperature resistance	-40 °C
max. temperature resistance	70 °C

Product details

Outer pipe diameter	15 mm
load F _Z	0,25 kN
Height H	28 mm
Axis height Y	17 mm
Center distance X	36 mm
Width	15 mm
Length L	55 mm