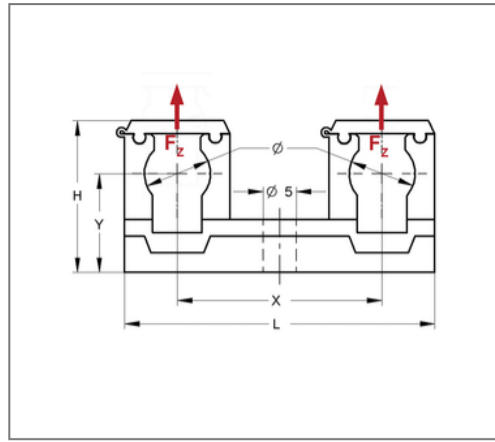
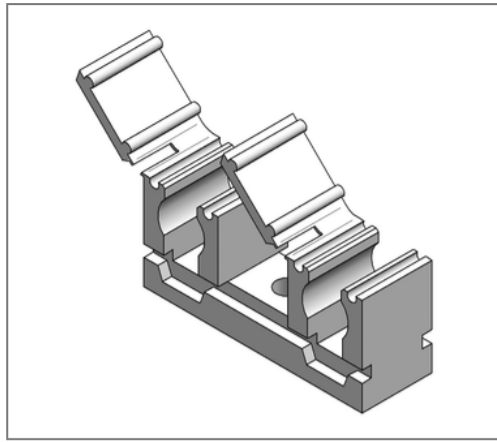


■ Pipe clip Clipmaster double 10 mm, Polyamide 6



Commercial details

Part no.	0410101
EAN/GTIN	4250928409126
Packing unit	100 pcs
Quantity unit	pcs
Weight	0,0097 kg/pc
Product group	01-041
Price unit	100

QR code



Specification

Application area	Weathering- and ageing proof clip for holding two pipelines.
Specification	Double clip
Type of attachment	with wood screws DIN 96

Technical data

Material	Kunststoff
Material type	Polyamid 6
min. temperature resistance	-40 °C
max. temperature resistance	70 °C

Product details

Outer pipe diameter	10 mm
Load F_z	0,25 kN
Height H	23 mm
Axis height Y	15 mm
Center distance X	31 mm
Width	15 mm
Length L	47 mm