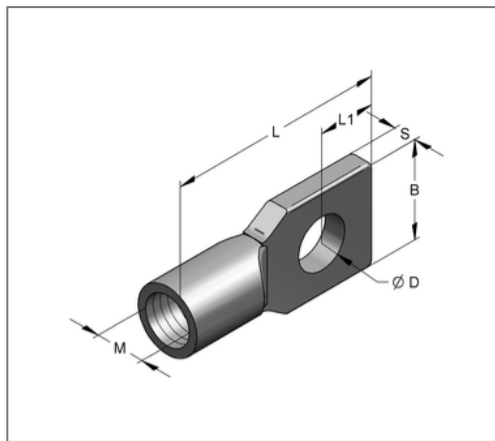
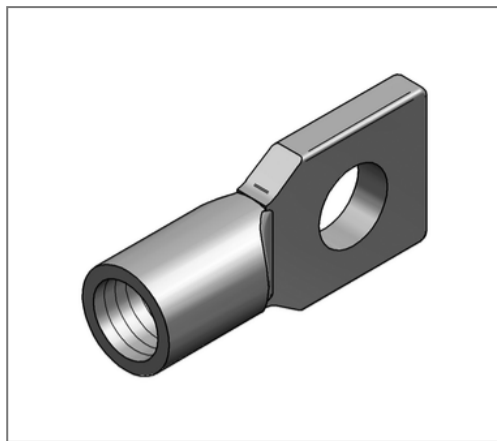


## ■ Eye nut Duplo Female thread M8 Hole 9 mm



### Commercial details

Part no.	0350141
EAN/GTIN	4250928407702
Packing unit	100 pcs
Quantity unit	pcs
Weight	0,0166 kg/pc
Product group	01-035
Price unit	100

### QR code



### Specification

Application Duplo eye nut with female thread especially for the visible pipe clamp.

### Technical data

Material Cast zinc  
Surface raw

### Product details

Female thread M	M8
Load $F_z$	2 kN
Hole diameter D	9 mm
Material thickness S	4 mm