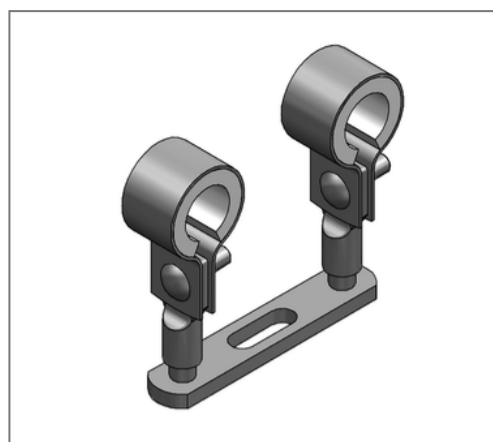
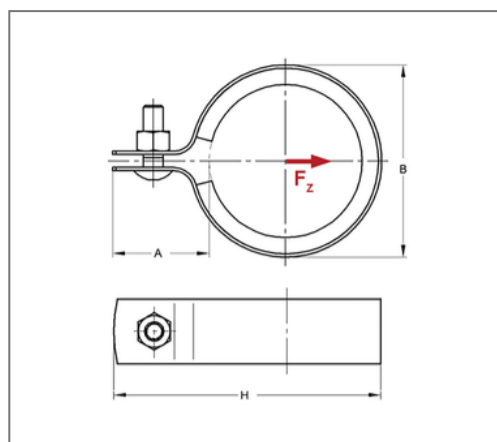
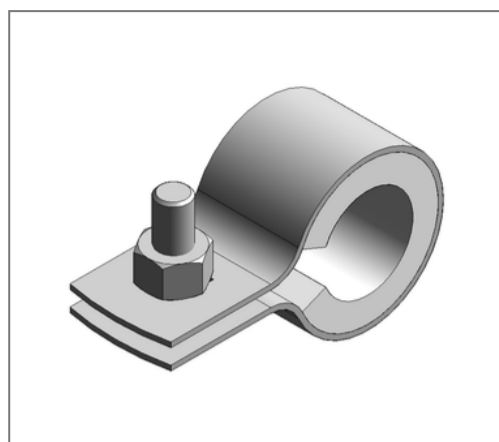


■ Visible pipe clamp 20x1 15 mm TPE



Commercial details

Part no.	0311150
EAN/GTIN	4250928407634
Packing unit	100 pcs
Quantity unit	pcs
Weight	0,0350 kg/pc
Product group	01-033
Price unit	100

QR code



Certification



Specification

Application area	Pipe clamp for fastening pipes.
Specification	one-part
Closure	Screw coupling

Technical data

Material	Steel
Material type	DC01-A, DD11
Surface	galvanized
Corrosion category	C2 very high
Surrounding area	Indoor area
Insulation thickness	5 mm
Temperature resistance	-35 °C - 100 °C
Sound insulation lining	TPE

Product details

Connection height A	33 mm
Width B	31 mm
Colour sound insulation lining	white
Height H	56 mm
Material dimension	20x1 mm
Load F_z	0,65 kN
Outer pipe diameter	15 mm
Closure screw	M6

Remark

Notice	suitable double holders see chapter 5
--------	---------------------------------------