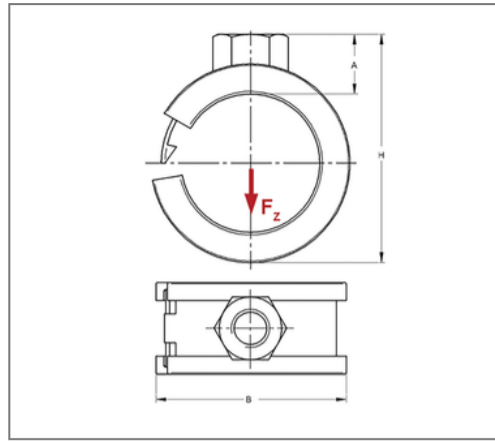
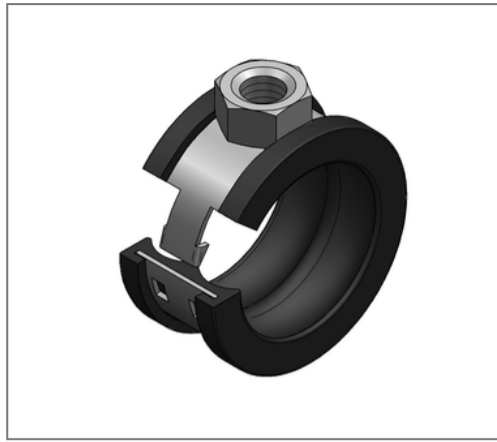


■ Pipe clamp Clipstar 20x1 35 mm M8 TPE



Commercial details

Part no.	0290351
EAN/GTIN	4250928407610
Packing unit	100 pcs
Quantity unit	pcs
Weight	0,0336 kg/pc
Product group	01-029
Price unit	100

QR code



Certification



Specification

Application area	pipe clamp for fastening pipes
Specification	one-part
Connection	M8
Closure	Hook closure

Technical data

Material	Steel
Material type	DC01-A
Surface	galvanized
Insulation thickness	3 mm
Temperature resistance	-35 °C - 100 °C
Sound insulation lining	TPE

Product details

Connection height A	11 mm
Width B	46 mm
Colour sound insulation lining	black
Height H	51 mm
Material dimension	20x1 mm
load F_z	0,4 kN
Outer pipe diameter	35 mm