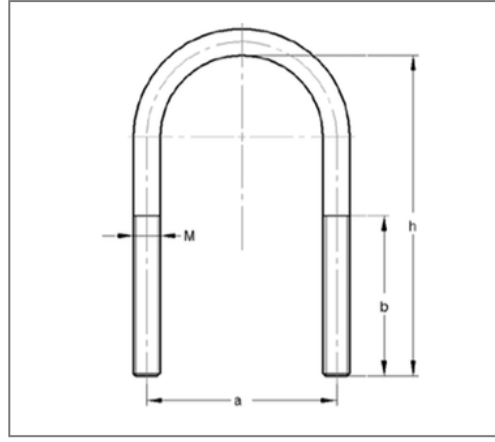


■ U-bolt 219,1 mm M12 Total height 300 mm



Commercial details

Part no.	0507219
EAN/GTIN	4250928414366
Packing unit	25 pcs
Quantity unit	pcs
Weight	0,525 kg/pc
Product group	01-050
Price unit	1

QR code



Certification



Specification

Application For direct installation of piping onto steel area structures and suitable for push-through-assembling into profile rails. Suitable for sprinkler and VdS.

Technical data

Material	Steel
Material type	S235
Surface	galvanized
Corrosion category	C2 very high
Surrounding area	Indoor area

Product details

Center distance a	233 mm
Height h	300 mm
Outside pipe diameter inch	val.RohraußendurchmesserZoll.8 inch
Thread M	M12
Length thread b	95 mm
Outer pipe diameter	219,1 mm

Remark

Notice	without nut
Note	VdS - G 494 0029