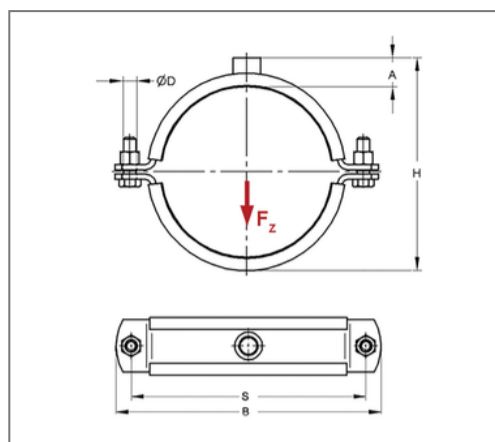


## ■ Pipe clamp Titan HD 50x5 273 mm 1" TPE



### Commercial details

Part no.	0074918
EAN/GTIN	4250928404756
Packing unit	1 pcs
Quantity unit	pcs
Weight	2,55 kg/pc
Product group	01-007
Price unit	100

### QR code



### Certification



### Specification

Application	Pipe clamp, sound-insulated for fastening pipes in the heavy load range.
Specification	two-part
Connection	1"
Closure	Screw coupling

### Technical data

Material	Steel
Material type	S235
Surface	galvanized
Corrosion category	C2 very high
Surrounding area	Indoor area
Insulation thickness	6 mm
Temperature resistance	-35 °C - 100 °C
Sound insulation lining	TPE

### Product details

Center distance S	336 mm
Connection height A	31 mm
Width B	365 mm
Colour sound insulation lining	black
Height H	315 mm
Material dimension	50x5 mm
Load $F_z$	11,5 kN
Outer pipe diameter	273 mm
Outside pipe diameter inch	val.RohraußendurchmesserZoll. 10 inch
Closure screw	M12

### Remark

Delivery time	5 - 8 working days ex works. Exchange and return are excluded.
---------------	--