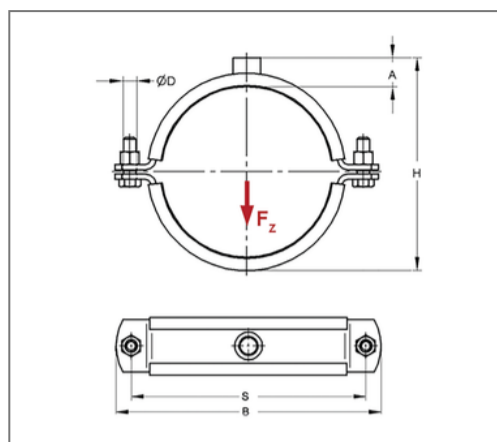


■ Pipe clamp Titan HD 50x5 210 mm 1" TPE



Commercial details

| | |
|---------------|---------------|
| Part no. | 0074802 |
| EAN/GTIN | 4250928404671 |
| Packing unit | 1 pcs |
| Quantity unit | pcs |
| Weight | 2,07 kg/pc |
| Product group | 01-007 |
| Price unit | 100 |

QR code



Certification



Specification

| | |
|---------------|--|
| Application | Pipe clamp, sound-insulated for fastening pipes in the heavy load range. |
| Specification | two-part |
| Connection | 1" |
| Closure | Screw coupling |

Technical data

| | |
|-------------------------|-----------------|
| Material | Steel |
| Material type | S235 |
| Surface | galvanized |
| Corrosion category | C2 very high |
| Surrounding area | Indoor area |
| Insulation thickness | 6 mm |
| Temperature resistance | -35 °C - 100 °C |
| Sound insulation lining | TPE |

Product details

| | |
|--------------------------------|---------|
| Center distance S | 273 mm |
| Connection height A | 31 mm |
| Width B | 302 mm |
| Colour sound insulation lining | black |
| Height H | 252 mm |
| Material dimension | 50x5 mm |
| Load F_z | 11,5 kN |
| Outer pipe diameter | 210 mm |
| Closure screw | M12 |

Remark

| | |
|---------------|--|
| Delivery time | 5 - 8 working days ex works. Exchange and return are excluded. |
|---------------|--|