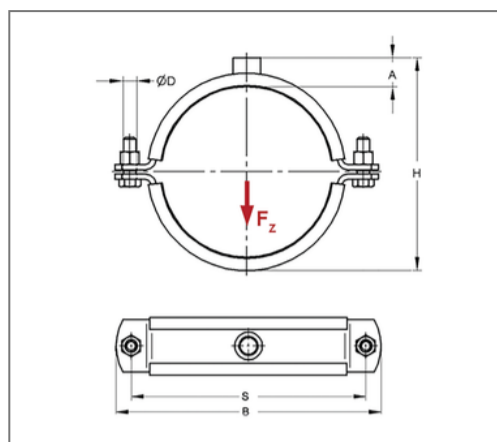


## ■ Pipe clamp Titan HD 50x5 267 mm 1/2" TPE



### Commercial details

|               |               |
|---------------|---------------|
| Part no.      | 0072893       |
| EAN/GTIN      | 4250928404220 |
| Packing unit  | 1 pcs         |
| Quantity unit | pcs           |
| Weight        | 2,45 kg/pc    |
| Product group | 01-007        |
| Price unit    | 100           |

### QR code



### Certification



### Specification

|               |  |
|---------------|--|
| Application   | Pipe clamp, sound-insulated for fastening pipes in the heavy load range. |
| Specification | two-part   |
| Connection    | 1/2"   |
| Closure       | Screw coupling   |

### Technical data

|                         |                 |
|-------------------------|-----------------|
| Material                | Steel           |
| Material type           | S235            |
| Surface                 | galvanized      |
| Corrosion category      | C2 very high    |
| Surrounding area        | Indoor area     |
| Insulation thickness    | 6 mm            |
| Temperature resistance  | -35 °C - 100 °C |
| Sound insulation lining | TPE             |

### Product details

|                                |         |
|--------------------------------|---------|
| Center distance S              | 330 mm  |
| Connection height A            | 26 mm   |
| Width B                        | 359 mm  |
| Colour sound insulation lining | black   |
| Height H                       | 304 mm  |
| Material dimension             | 50x5 mm |
| Load $F_z$                     | 11,5 kN |
| Outer pipe diameter            | 267 mm  |
| Closure screw                  | M12     |

### Remark

|               |  |
|---------------|--|
| Delivery time | 5 - 8 working days ex works. Exchange and return are excluded. |
|---------------|--|