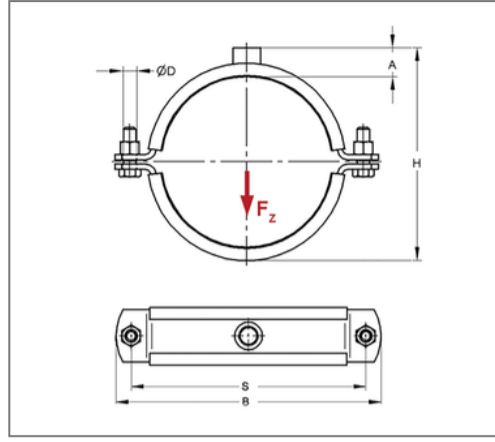


## ■ Pipe clamp Titan HD 50x5 280 mm M16 TPE



### Commercial details

Part no.	0071927
EAN/GTIN	4250928403681
Packing unit	1 pcs
Quantity unit	pcs
Weight	2,56 kg/pc
Product group	01-007
Price unit	100

### QR code



### Certification



### Specification

Application	pipe clamp, sound-insulated for fastening pipes area
Specification	two-part
Connection	M16
Closure	Screw coupling

### Product details

Center distance S	343 mm
Connection height A	26 mm
Width B	372 mm
Colour sound insulation lining	black
Height H	317 mm
Material dimension	50x5 mm
load $F_z$	11,5 kN
Outer pipe diameter	280 mm
Closure screw	M12

### Technical data

Material	Steel
Material type	S235
Surface	galvanized
Insulation thickness	6 mm
Temperature resistance	-35 °C - 100 °C
Sound insulation lining	TPE

### Remark

Delivery time	5 - 8 working days ex works. Exchange and return are excluded.
---------------	--