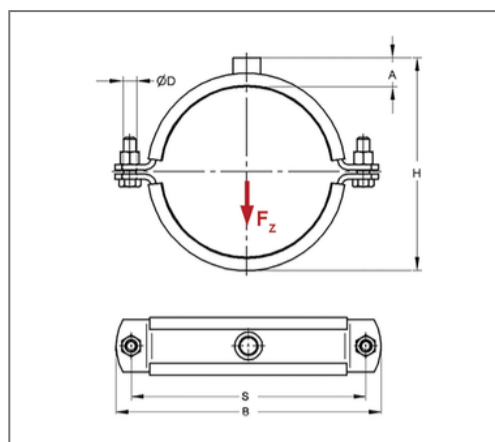


■ Pipe clamp Titan HD 50x5 194 mm M16 TPE



Commercial details

Part no.	0071773
EAN/GTIN	4250928403551
Packing unit	1 pcs
Quantity unit	pcs
Weight	1,91 kg/pc
Product group	01-007
Price unit	100

QR code



Certification



Specification

Application	pipe clamp, sound-insulated for fastening pipes area
Specification	two-part
Connection	M16
Closure	Screw coupling

Product details

Center distance S	257 mm
Connection height A	26 mm
Width B	286 mm
Colour sound insulation lining	black
Height H	231 mm
Material dimension	50x5 mm
load F_z	11,5 kN
Outer pipe diameter	194 mm
Closure screw	M12

Technical data

Material	Steel
Material type	S235
Surface	galvanized
Insulation thickness	6 mm
Temperature resistance	-35 °C - 100 °C
Sound insulation lining	TPE

Remark

Delivery time	5 - 8 working days ex works. Exchange and return are excluded.
---------------	--