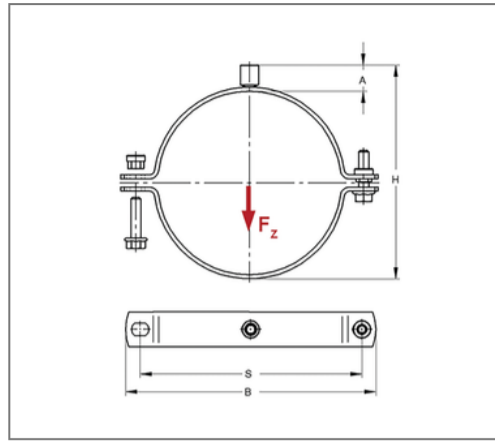
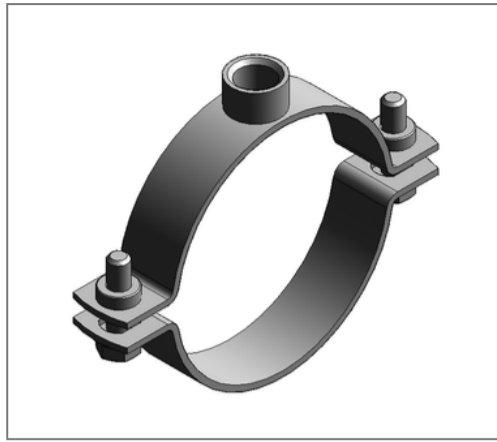


■ Pipe clamp Maxima PSM 35x4 164 - 168 mm 1/2" unlined



Commercial details

Part no.	0082196
EAN/GTIN	4250928406514
Packing unit	1 pcs
Quantity unit	pcs
Weight	0,817 kg/pc
Product group	01-008
Price unit	100

QR code



Certification



Specification

Application area	Pipe clamp for fixing pipes.
Specification	two-part
Connection	1/2"
Closure	Pendulum stick nuts

Product details

Center distance S	211 mm
Connection height A	19 mm
Width B	241 mm
Height H	187 - 191 mm
Material dimension	35x4 mm
load F_z	6,3 kN
Clamping range	164 - 168 mm
Outside pipe diameter inch	6 inch
Closure screw	M10

Technical data

Material	Steel
Material type	S235
Surface	galvanized
Sound insulation lining	unlined

Remark

Delivery time	5 Arbeitstage ab Werk
Notice	With thread M16 or sleeve 1/2 Inch exchange and return are excluded. Suitable connection adaptors see chapter 1.