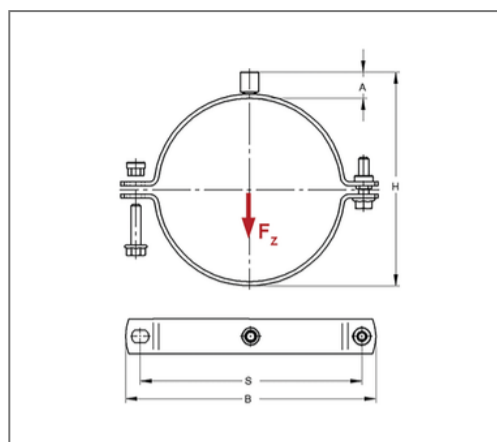
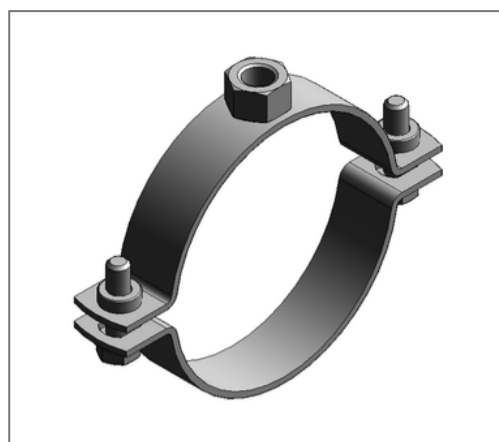


## ■ Pipe clamp Maxima PSM 35x4 269 - 273 mm M16 unlined



### Commercial details

Part no.	0081843
EAN/GTIN	4250928406309
Packing unit	1 pcs
Quantity unit	pcs
Weight	1,21 kg/pc
Product group	01-008
Price unit	100

### QR code



### Certification



### Specification

Application area	Pipe clamp for fastening pipes.
Specification	two-part
Connection	M16
Closure	Pendulum stick nuts

### Product details

Center distance S	316 mm
Connection height A	24 mm
Width B	346 mm
Height H	297 - 301 mm
Material dimension	35x4 mm
Load $F_z$	6,3 kN
Clamping range	269 - 273 mm
Outside pipe diameter inch	val.RohraußendurchmesserZoll. 10 inch
Closure screw	M10

### Technical data

Material	Steel
Material type	S235
Surface	galvanized
Corrosion category	C2 very high
Surrounding area	Indoor area
Sound insulation lining	unlined

### Remark

Delivery time	5 working days ex works
Notice	With thread M16 or sleeve 1/2 Inch exchange and return are excluded. Suitable connection adaptors see chapter 1.