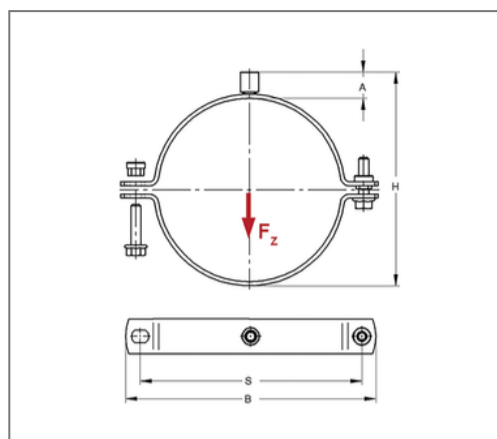
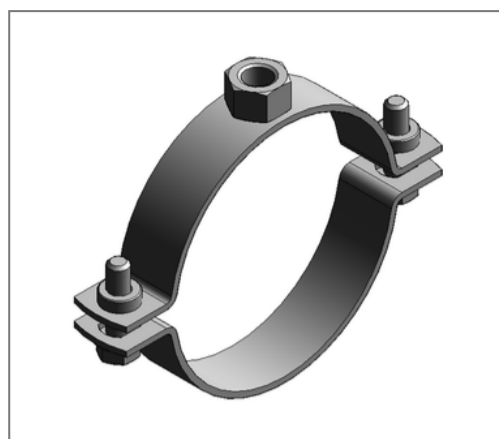


■ Pipe clamp Maxima PSM 35x4 195 - 200 mm M16 unlined



Commercial details

Part no.	0081746
EAN/GTIN	4250928406200
Packing unit	1 pcs
Quantity unit	pcs
Weight	0,950 kg/pc
Product group	01-008
Price unit	100

QR code



Certification



Specification

Application area	Pipe clamp for fastening pipes.
Specification	two-part
Connection	M16
Closure	Pendulum stick nuts

Technical data

Material	Steel
Material type	S235
Surface	galvanized
Corrosion category	C2 very high
Surrounding area	Indoor area
Sound insulation lining	unlined

Product details

Center distance S	243 mm
Connection height A	24 mm
Width B	273 mm
Height H	223 - 228 mm
Material dimension	35x4 mm
Load F_z	6,3 kN
Clamping range	195 - 200 mm
Closure screw	M10

Remark

Delivery time	5 working days ex works
Notice	With thread M16 or sleeve 1/2 Inch exchange and return are excluded. Suitable connection adaptors see chapter 1.