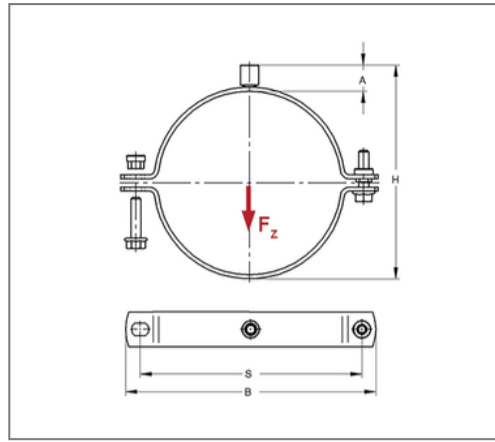
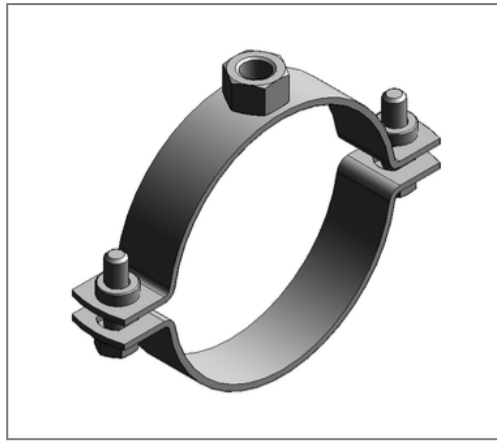


■ Pipe clamp Maxima PSM 35x4 132 - 137 mm M16 unlined



Commercial details

Part no.	0081654
EAN/GTIN	4250928406071
Packing unit	1 pcs
Quantity unit	pcs
Weight	0,725 kg/pc
Product group	01-008
Price unit	100

QR code



Certification



Specification

Application area	Pipe clamp for fastening pipes.
Specification	two-part
Connection	M16
Closure	Pendulum stick nuts

Product details

Center distance S	180 mm
Connection height A	24 mm
Width B	210 mm
Height H	160 - 165 mm
Material dimension	35x4 mm
Load F_z	6,3 kN
Clamping range	132 - 137 mm
Closure screw	M10

Technical data

Material	Steel
Material type	S235
Surface	galvanized
Corrosion category	C2 very high
Surrounding area	Indoor area
Sound insulation lining	unlined

Remark

Delivery time	5 working days ex works
Notice	With thread M16 or sleeve 1/2 Inch exchange and return are excluded. Suitable connection adaptors see chapter 1.