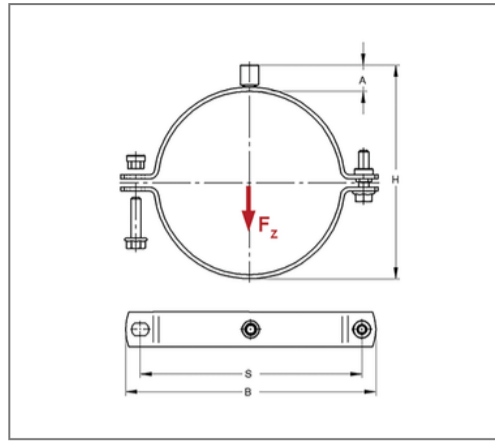
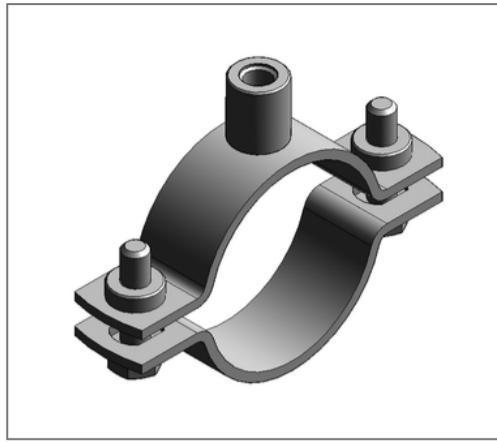


■ Pipe clamp Maxima PSM 25x3 48 - 55 mm M8/M10 unlined



Commercial details

Part no.	0068856
EAN/GTIN	4250928402455
Packing unit	1 pcs
Quantity unit	pcs
Weight	0,225 kg/pc
Product group	01-006
Price unit	100

QR code



Certification



Specification

Application area	Pipe clamp for fixing pipes.
Specification	two-part
Connection	M8/M10
Closure	Pendulum stick nuts

Product details

Center distance S	84 mm
Connection height A	24 mm
Width B	108 mm
Höhe H	75 - 82 mm
Material dimension	25x3 mm
load F_z	3 kN
Clamping range	48 - 55 mm
Outside pipe diameter inch	1 1/2 inch
Closure screw	M8

Technical data

Material	Steel
Material type	S235
Surface	galvanized
Sound insulation lining	unlined

Remark

Delivery time	5 working days ex works
Notice	Mit Gewinde M16 oder Muffe 1/2 Zoll von Umtausch und Rücknahme ausgeschlossen. Passende Anschlussadapter siehe Kapitel 1.