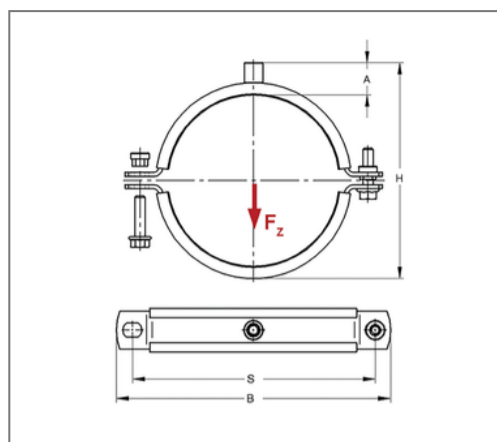
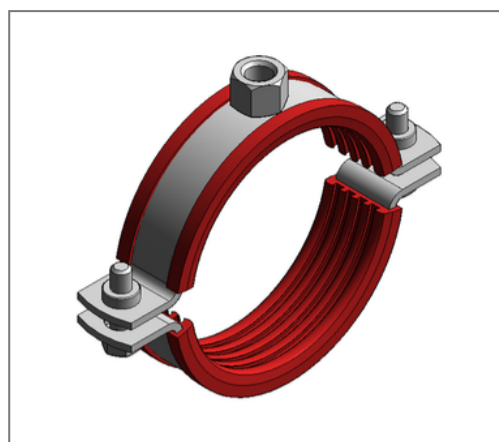


## ■ Pipe clamp Maxima PSM 35x4 198 - 203 mm M16 Silicone



### Commercial details

Part no.	0084754
EAN/GTIN	4250928407023
Packing unit	1 pcs
Quantity unit	pcs
Weight	1,17 kg/pc
Product group	01-008
Price unit	100

### QR code



### Certification



### Specification

Application area	Pipe clamp for fixing pipes.
Specification	two-part
Connection	M16
Closure	Pendulum stick nuts

### Product details

Center distance S	257 mm
Connection height A	30 mm
Width B	287 mm
Colour sound insulation lining	red
Höhe H	238 - 243 mm
Material dimension	35x4 mm
load $F_z$	5 kN
Clamping range	198 - 203 mm
Closure screw	M10

### Technical data

Material	Steel
Material type	S235
Surface	galvanized
Insulation thickness	6 mm
Temperature resistance	-50 °C - 250 °C
Sound insulation lining	Silicone

### Remark

Delivery time	5 working days ex works
Notice	With thread M16 or sleeve 1/2 Inch exchange and return are excluded. Suitable connection adaptors see chapter 1.