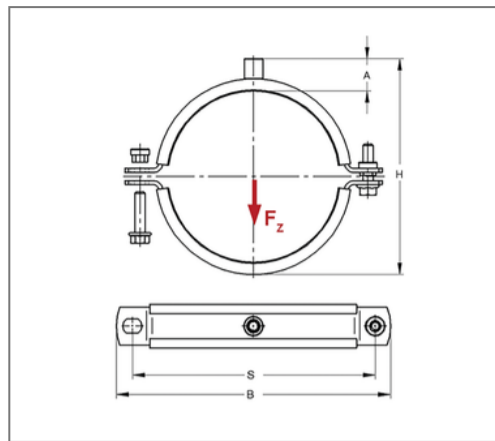
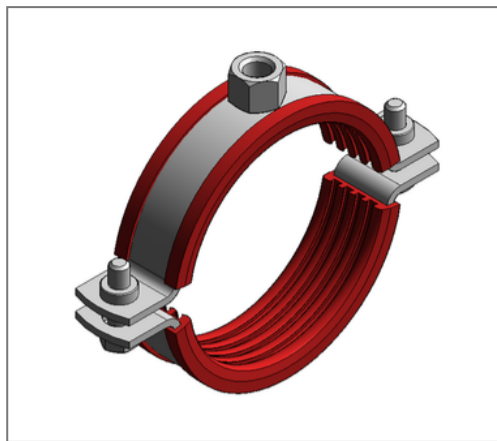


## ■ Pipe clamp Maxima PSM 35x4 164 - 168 mm M16 Silicone



### Commercial details

|               |               |
|---------------|---------------|
| Part no.      | 0084723       |
| EAN/GTIN      | 4250928407009 |
| Packing unit  | 1 pcs         |
| Quantity unit | pcs           |
| Weight        | 1,02 kg/pc    |
| Product group | 01-008        |
| Price unit    | 100           |

### QR code



### Certification



### Specification

|                  |                                 |
|------------------|---------------------------------|
| Application area | Pipe clamp for fastening pipes. |
| Specification    | two-part                        |
| Connection       | M16                             |
| Closure          | Pendulum stick nuts             |

### Technical data

|                         |                 |
|-------------------------|-----------------|
| Material                | Steel           |
| Material type           | S235            |
| Surface                 | galvanized      |
| Corrosion category      | C2 very high    |
| Surrounding area        | Indoor area     |
| Insulation thickness    | 6 mm            |
| Temperature resistance  | -50 °C - 250 °C |
| Sound insulation lining | Silicone        |

### Product details

|                                |   |
|--------------------------------|---|
| Center distance S              | 222 mm                                  |
| Connection height A            | 30 mm                                   |
| Width B                        | 252 mm                                  |
| Colour sound insulation lining | red                                     |
| Height H                       | 204 - 208 mm                            |
| Material dimension             | 35x4 mm                                 |
| Load $F_z$                     | 5 kN                                    |
| Clamping range                 | 164 - 168 mm                            |
| Outside pipe diameter inch     | val.RohraußendurchmesserZoll.<br>6 inch |
| Closure screw                  | M10                                     |

### Remark

|               |  |
|---------------|--|
| Delivery time | 5 working days ex works  |
| Notice        | With thread M16 or sleeve 1/2 Inch exchange and return are excluded. Suitable connection adaptors see chapter 1. |