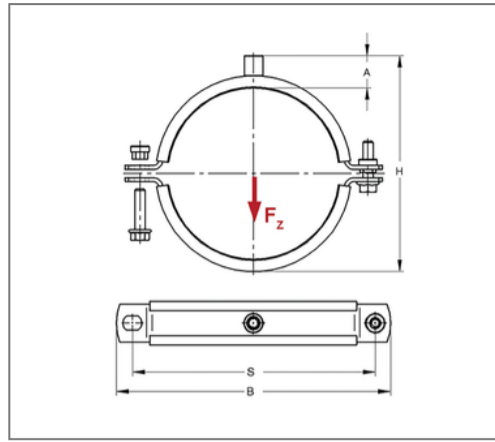


■ Pipe clamp Maxima PSM 35x4 207 - 213 mm 1/2" TPE



Commercial details

Part no.	0082290
EAN/GTIN	4250928406606
Packing unit	1 pcs
Quantity unit	pcs
Weight	1,19 kg/pc
Product group	01-008
Price unit	100

QR code



Certification



Specification

Application area	Pipe clamp for fixing pipes.
Specification	two-part
Connection	1/2"
Closure	Pendulum stick nuts

Technical data

Material	Steel
Material type	S235
Surface	galvanized
Insulation thickness	6 mm
Temperature resistance	-35 °C - 100 °C
Sound insulation lining	TPE

Product details

Center distance S	267 mm
Connection height A	25 mm
Width B	297 mm
Colour sound insulation lining	black
Höhe H	242 - 248 mm
Material dimension	35x4 mm
load F_z	5 kN
Clamping range	207 - 213 mm
Closure screw	M10

Remark

Delivery time	5 working days ex works
Notice	With thread M16 or sleeve 1/2 Inch exchange and return are excluded. Suitable connection adaptors see chapter 1.