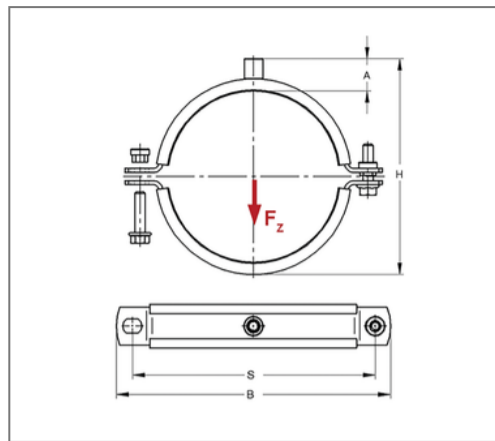


■ Pipe clamp Maxima PSM 35x4 207 - 213 mm M10/M12 TPE



Commercial details

| | |
|---------------|---------------|
| Part no. | 0080293 |
| EAN/GTIN | 4250928405951 |
| Packing unit | 1 pcs |
| Quantity unit | pcs |
| Weight | 1,20 kg/pc |
| Product group | 01-008 |
| Price unit | 100 |

QR code



Certification



Specification

| | |
|------------------|---------------------------------|
| Application area | Pipe clamp for fastening pipes. |
| Specification | two-part |
| Connection | M10/M12 |
| Closure | Pendulum stick nuts |

Technical data

| | |
|-------------------------|-----------------|
| Material | Steel |
| Material type | S235 |
| Surface | galvanized |
| Corrosion category | C2 very high |
| Surrounding area | Indoor area |
| Insulation thickness | 6 mm |
| Temperature resistance | -35 °C - 100 °C |
| Sound insulation lining | TPE |

Product details

| | |
|--------------------------------|--------------|
| Center distance S | 267 mm |
| Connection height A | 31 mm |
| Width B | 297 mm |
| Colour sound insulation lining | black |
| Height H | 248 - 254 mm |
| Material dimension | 35x4 mm |
| Load F _z | 5 kN |
| Clamping range | 207 - 213 mm |
| Closure screw | M10 |

Remark

| | |
|---------------|--|
| Delivery time | 5 working days ex works |
| Notice | With thread M16 or sleeve 1/2 Inch exchange and return are excluded. Suitable connection adaptors see chapter 1. |