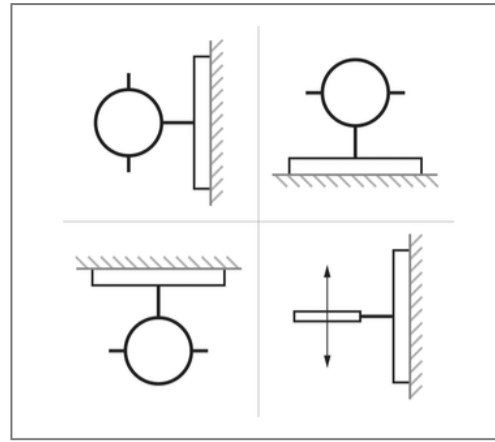
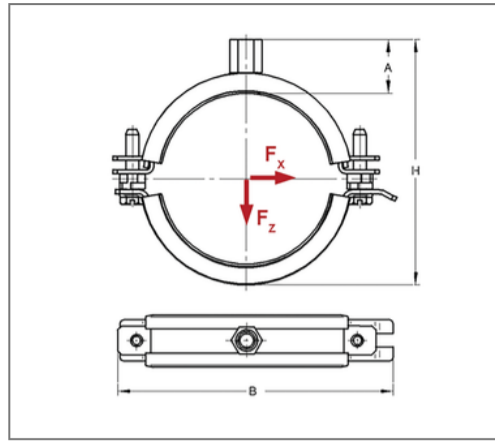
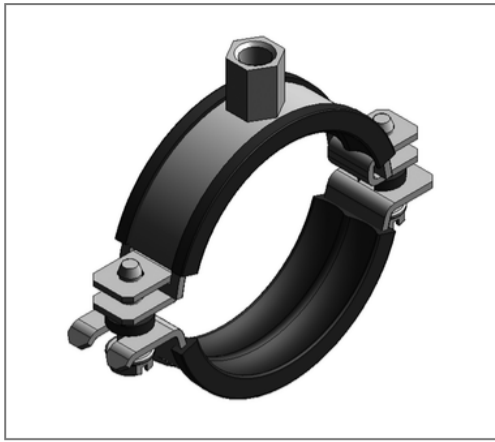


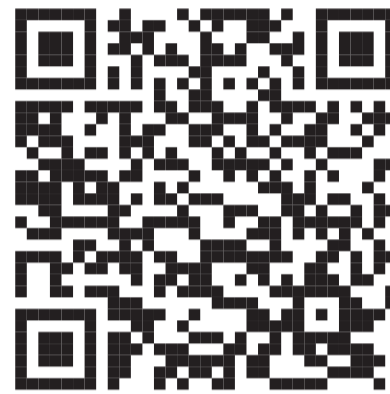
■ Sliding pipe clamp Omnia MB 25x2,5 96 mm M8/M10 EPDM



Commercial details

Part no.	0387296
EAN/GTIN	4250928408327
Packing unit	50 pcs
Quantity unit	pcs
Weight	0,258 kg/pc
Product group	01-140
Price unit	100

QR code



Certification



Specification

Application area	Pipe clamp for fastening pipes.
Specification	two-part
Connection	M8/M10
Closure	Sleuable U-closure

Technical data

Material	Steel
Material type	DD11
Surface	galvanized
Corrosion category	C2 very high
Surrounding area	Indoor area
Insulation thickness	4,5 mm
Temperature resistance	-30 °C - 70 °C
Sound insulation lining	Rubber EPDM flocked

Product details

Connection height A	25 mm
Width B	143 mm
Colour sound insulation lining	black
Height H	119 - 124 mm
Material dimension	25x2,5 mm
Load F_x	0,3 kN
Load F_z	1,2 kN
Outer pipe diameter	96 mm
Closure screw	M6

Remark

Notice	suitable connection adapter see chapter 1
--------	---