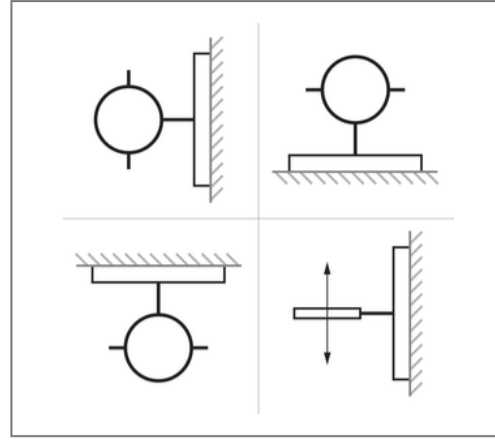
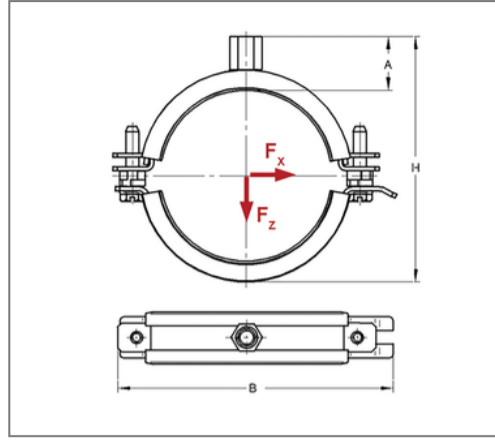
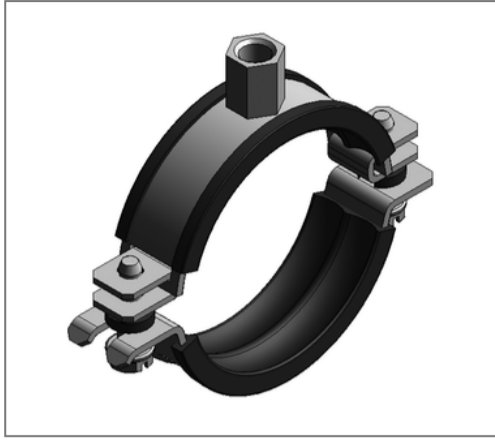


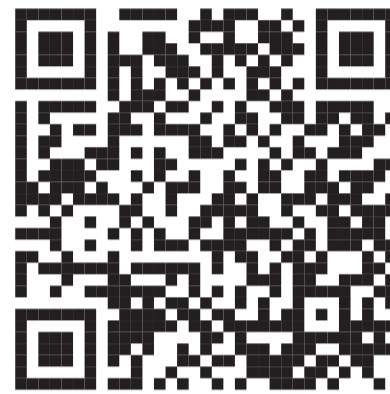
■ Sliding pipe clamp Omnia MB 20x2 52 mm M8/M10 EPDM



Commercial details

Part no.	0387252
EAN/GTIN	4250928408228
Packing unit	50 pcs
Quantity unit	pcs
Weight	0,125 kg/pc
Product group	01-140
Price unit	100

QR code



Certification



Specification

Application area	Pipe clamp for fastening pipes.
Specification	two-part
Connection	M8/M10
Closure	Sleivable U-closure

Technical data

Material	Steel
Material type	DD11
Surface	galvanized
Corrosion category	C2 very high
Surrounding area	Indoor area
Insulation thickness	3 mm
Temperature resistance	-30 °C - 70 °C
Sound insulation lining	Rubber EPDM flocked

Product details

Connection height A	24 mm
Width B	101 mm
Colour sound insulation lining	black
Height H	78 - 82 mm
Material dimension	20x2 mm
Load F_x	0,23 kN
Load F_z	0,5 kN
Outer pipe diameter	52 mm
Closure screw	M6

Remark

Notice	suitable connection adapter see chapter 1
--------	---