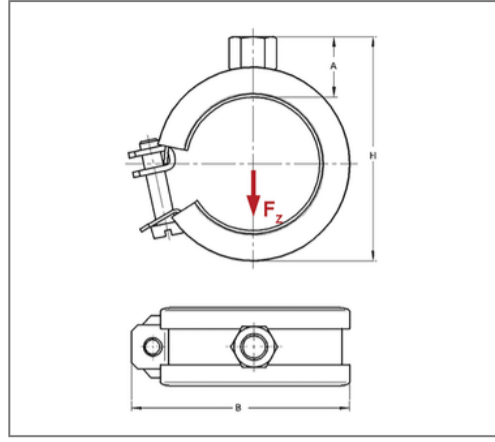


## ■ Pipe clamp Omnia 20x1 42 - 43 mm M10 Silicone



### Commercial details

Part no.	0381926
EAN/GTIN	4250928408143
Packing unit	50 pcs
Quantity unit	pcs
Weight	0,0780 kg/pc
Product group	01-142
Price unit	100

### QR code



### Certification



### Specification

Application area	Pipe clamp for fastening pipes.
Specification	one-part
Connection	M10
Closure	Sleivable U-closure

### Technical data

Material	Steel
Material type	DC01-A, DD11
Surface	galvanized
Corrosion category	C2 very high
Surrounding area	Indoor area
Insulation thickness	6 mm
Temperature resistance	-50 °C - 250 °C
Sound insulation lining	Silicone

### Product details

Connection height A	21 mm
Width B	68 mm
Colour sound insulation lining	red
Height H	69 mm
Material dimension	20x1 mm
Load $F_z$	1 kN
Clamping range	42 - 43 mm
Outside pipe diameter inch	val.RohraußendurchmesserZoll. 1 1/4 inch
Closure screw	M6