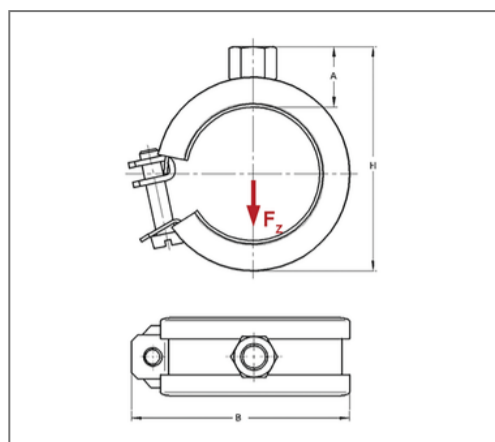
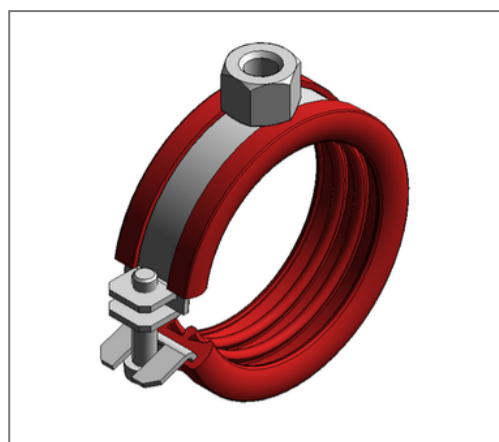


■ Pipe clamp Omnia 20x0,8 15 - 17 mm M10 Silicone



Commercial details

Part no.	0381659
EAN/GTIN	4250928408099
Packing unit	100 pcs
Quantity unit	pcs
Weight	0,0500 kg/pc
Product group	01-142
Price unit	100

QR code



Certification



Specification

Application area	Pipe clamp for fastening pipes.
Specification	one-part
Connection	M10
Closure	Sleivable U-closure

Technical data

Material	Steel
Material type	DC01-A, DD11
Surface	galvanized
Corrosion category	C2 very high
Surrounding area	Indoor area
Insulation thickness	6 mm
Temperature resistance	-50 °C - 250 °C
Sound insulation lining	Silicone

Product details

Connection height A	21 mm
Width B	39 mm
Colour sound insulation lining	red
Height H	42 mm
Material dimension	20x0,8 mm
Load F_z	0,8 kN
Clamping range	15 - 17 mm
Closure screw	M6