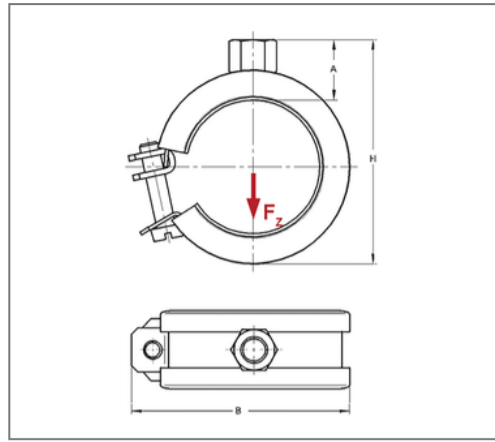
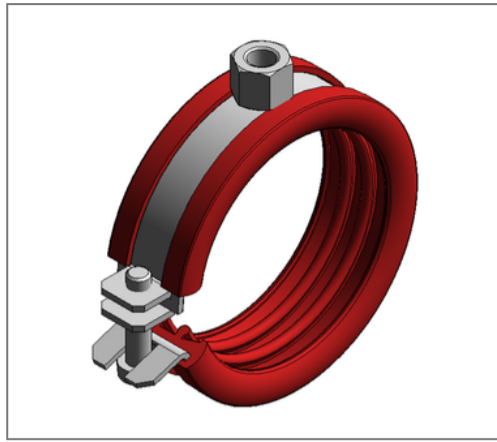


■ Pipe clamp Omnia 20x1 44 - 47 mm M8 Silicone



Commercial details

Part no.	0380946
EAN/GTIN	4250928407917
Packing unit	50 pcs
Quantity unit	pcs
Weight	0,0690 kg/pc
Product group	01-142
Price unit	100

QR code



Certification



Specification

Application area	Pipe clamp for fastening pipes.
Specification	one-part
Connection	M8
Closure	Sleuable U-closure

Technical data

Material	Steel
Material type	DC01-A, DD11
Surface	galvanized
Corrosion category	C2 very high
Surrounding area	Indoor area
Insulation thickness	6 mm
Temperature resistance	-50 °C - 250 °C
Sound insulation lining	Silicone

Product details

Connection height A	19 mm
Width B	70 mm
Colour sound insulation lining	red
Height H	69 mm
Material dimension	20x1 mm
Load Fz	1 kN
Clamping range	44 - 47 mm
Closure screw	M6